



PRODUCT CATALOGUE 2021



BRAND HISTORY, ACTUAL PRODUCT

- 1948** The Steelworks Lombarde Falck, Italian leader in steel production, following a vertical development process, creates a new manufacturing branch for the production of sections blades for mowers and for harvester-threshers. Born the STELLA Brand.
In few time, the Stella's blades obtain success getting best in class for quality on the market.
- 1995** Eng. Alfredo Tricomi, expert manufacturing director of steelworks, buys the Stella branch and creates a new independent company, known as STELLA SRL. The new property, continuing the total quality tradition, starts a new program to increase the production lines and the product ranges.
- 1996** STELLA moves to the new headquarter near the city of Brescia - Italy.
- 2008** The Brand Stella celebrates sixty years of success on the market.
- 2021** Stella, leader in the italian market, consolidates its presence in international markets thanks to its enlarged range of high performance cutting systems

STELLA Blades - 70 years of total Quality



PRODUCT INDEX

Mowers blades / Sickle Sections	01
Harvester combine blades / Sickle Sections	07
Blades for viticulture	13
Bio Shredders blades	17
Rotary mowers knives	19
Bolts and nuts	31
Straw chopper knives & bushings for straw chopper	33
Knives for maize	43
Chopper knives sugar cane	49
Knives for shredder / feed mixers.....	51
Knives for round balers / loading trailers	65
Plaques	77
Blades for brush cutters.....	79
Kit blades for automatic robots	81
Complete knife Stella for mowers	83
Complete knife Stella for harvester combine	87
Guards for harvester and mowers	91
Special knives	



LEGEND



- L** liscia naturale
- LL** liscia spianata
- S** sotto rigata
- SR** sopra rigata
- F** con finestra
- SV** svasatura fori sopra
- SVS** svasatura fori sotto
- CR** cromatura
- P** piegata
- Zn** zincata

Le misure sulle lame sono espresse in millimetri



- L** Klinge glatt
- LL** Klinge glatt abgeschrägt
- S** Klinge u. gezahnt
- SR** Klinge o. gezahnt
- F** Mit Schlitzloch
- SV** Klinge oben versenkt
- SVS** Klinge unten versenkt
- CR** Verchromt
- P** Gefaltet
- Zn** Verzinkung

Die Maße der Klingen sind in millimeters



- L** liso natural
- LL** liso
- S** bajo dentada
- SR** superior dentada
- F** con la apertura
- SV** agujeros hasta avellanado
- SVS** agujeros por avellanado
- CR** cromado
- P** doblado
- Zn** galvanizado

Las medidas indicadas en las hojas están en milímetros



- L** regular
- LL** smooth
- S** under serrated
- SR** top serrated
- F** with opening
- SV** holes up countersink
- SVS** holes down countersink
- CR** chrome plated
- P** bendet
- Zn** galvanized

The measures on the blade are in millimeters



- L** section lisse
- LL** lisse nivelée
- S** fauc. dessous
- SR** fauc. dessus
- F** avec fenetre
- SV** trous fraisés dessus
- SVS** trous fraisés dessous
- CR** chromate
- P** plié
- Zn** zingueé

Les mesures sur les lamas son en millimètres

The knives of this catalogue are adatable to indicated brands. The codes and the brands are specified only for comparative purposes and adaptabili

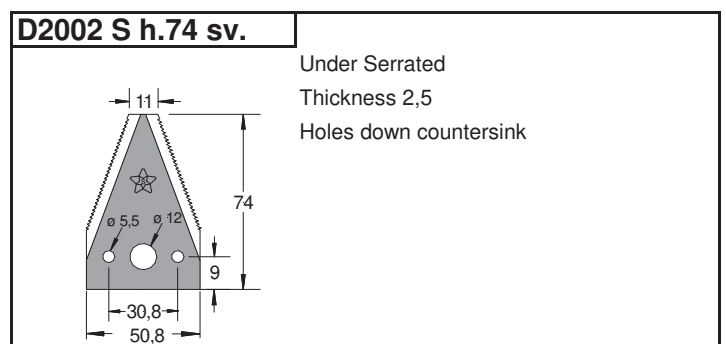
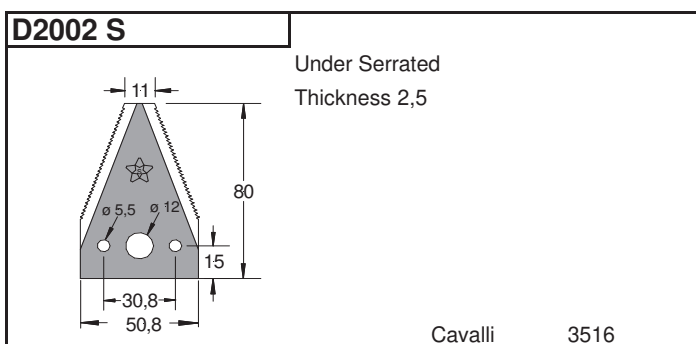
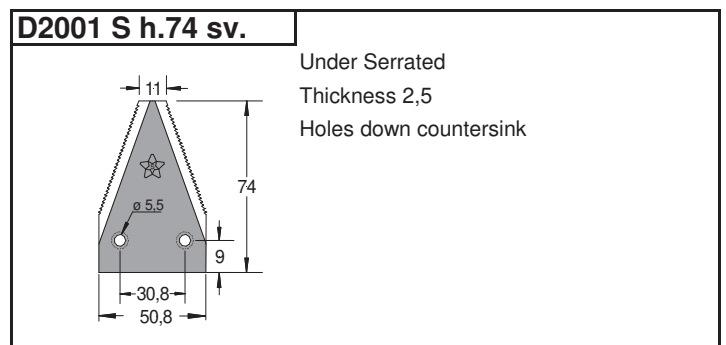
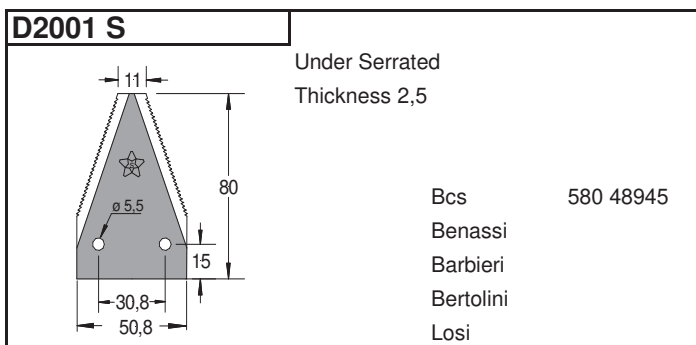
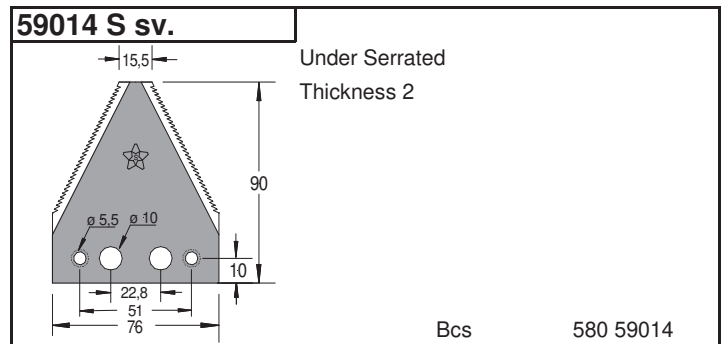
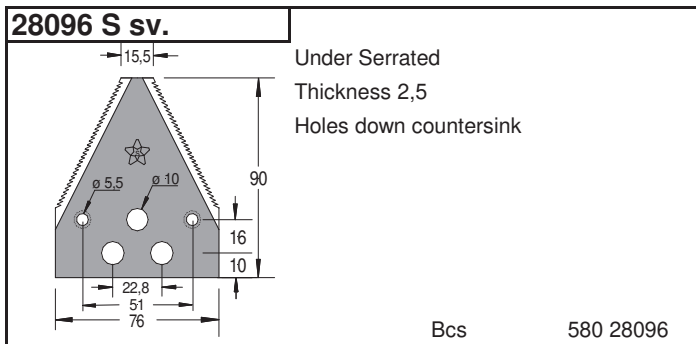
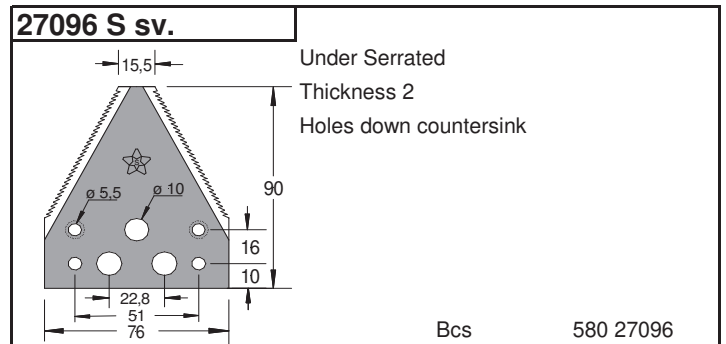
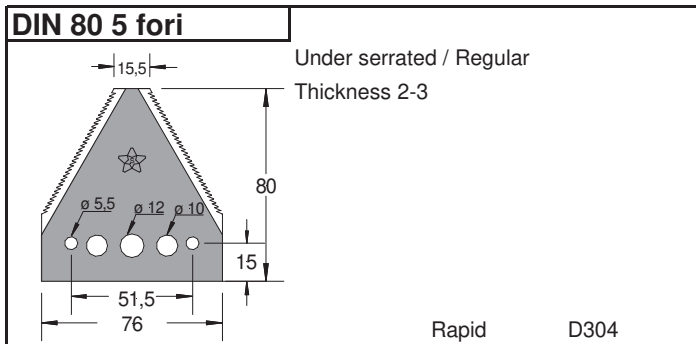
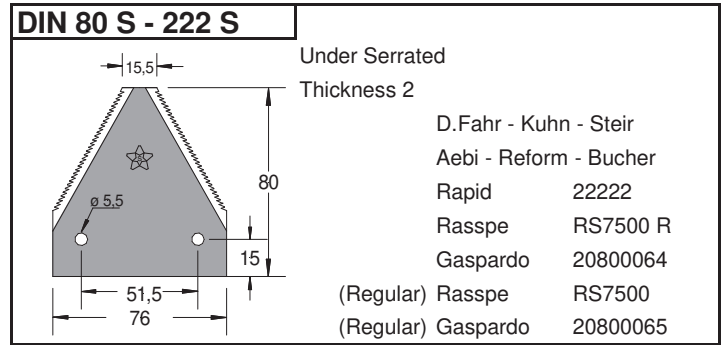
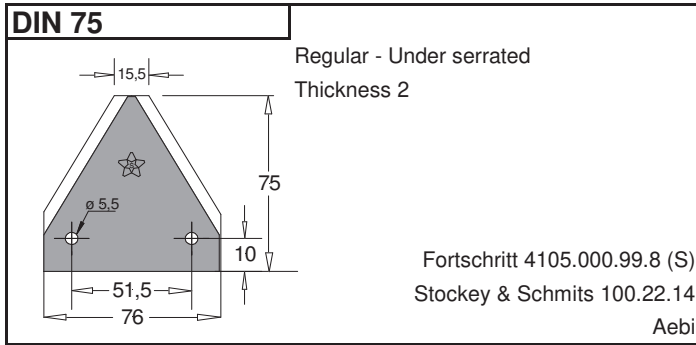
MOWERS BLADES / SICKLE SECTION

www.stellalame.com



SEZIONI DI LAME FALCIATRICI - MOWERS BLADES
KLINGEN FÜR MAHMASCHINEN - SECTIONS FAUCHEUSES
SECCIONES CUCHILLAS MOTOSEGADORAS - СЕГМЕНТЫ ДЛЯ КОСИЛОК

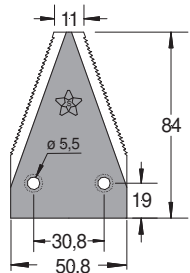
Code Adaptable to: Code Adaptable to:



SEZIONI DI LAME FALCIATRICI - MOWERS BLADES
KLINGEN FÜR MAHMASCHINEN - SECTIONS FAUCHEUSES
SECCIONES CUCHILLAS MOTOSEGADORAS - СЕГМЕНТЫ ДЛЯ КОСИЛОК

Code Adaptable to: Code Adaptable to:

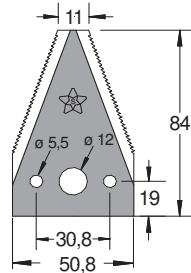
3550 S sv.



Under Serrated
 Thickness 3
 Holes down countersink

Cavalli

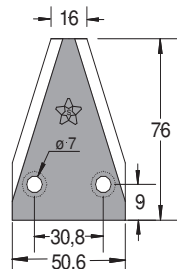
2148 S



Under Serrated
 Thickness 2,5

Cavalli

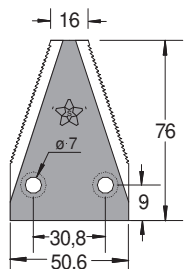
50696 S sv.



Under Serrated
 Thickness 2,5
 Holes down countersink

Bcs 563 50696

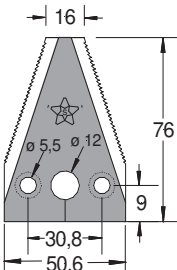
50684 LL sv.



Regular
 Thickness 2,5
 Holes down countersink

Bcs 563 50684

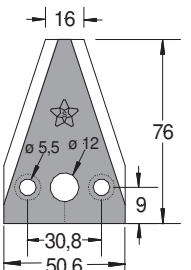
59015 S sv.



Under Serrated
 Thickness 2,5
 Holes down countersink

Eurosystems 26102005/1
 Bcs 563 59015

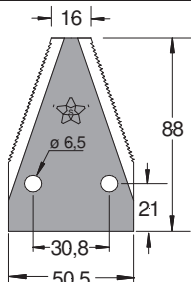
59016 LL sv.



Regular
 Thickness 2,5
 Holes down countersink

Bcs 563 59016

58716 S

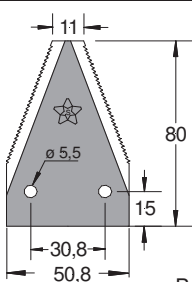


Under Serrated
 Thickness 2,5



Bcs 563 58716
 BCS 563 58761 (without reduction)

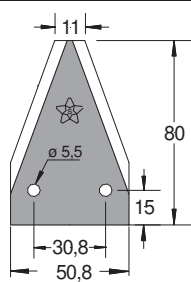
85315 S



Under serrated
 Thickness 2

Fort
 Bcs 580 48945

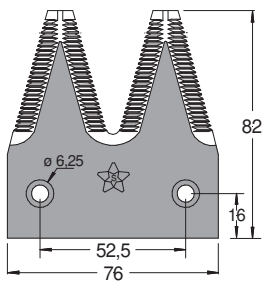
85316 LL



Regular
 Thickness 2

Fort

ST 7000 f.6,25 sv. sopra

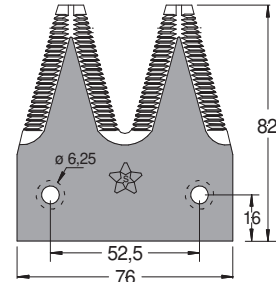


Top serrated
 Thickness 2,7
 Holes up countersink



Gaspardo 13013540

ST 7000 f.6,25 sv. sotto



Top serrated
 Thickness 2,7
 Holes down countersink



Gaspardo 13013550



**SEZIONI DI LAME FALCIATRICI - MOWERS BLADES
 KLINGEN FÜR MAHMASCHINEN - SECTIONS FAUCHEUSES
 SECCIONES CUCHILLAS MOTOSEGADORAS - СЕГМЕНТЫ ДЛЯ КОСИЛОК**

Code **Adaptable to:** **Code** **Adaptable to:**

GB 2730

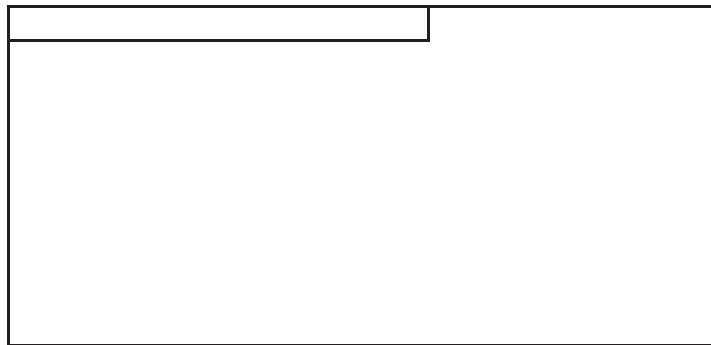
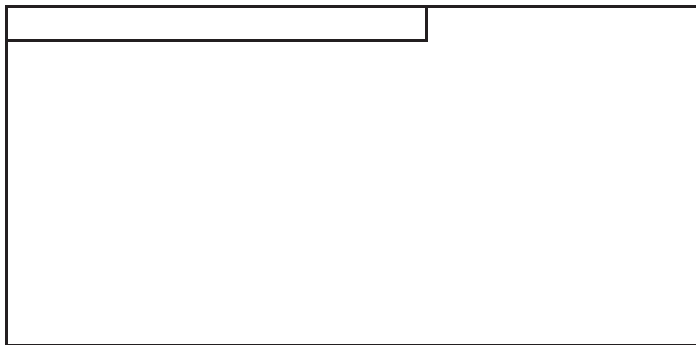
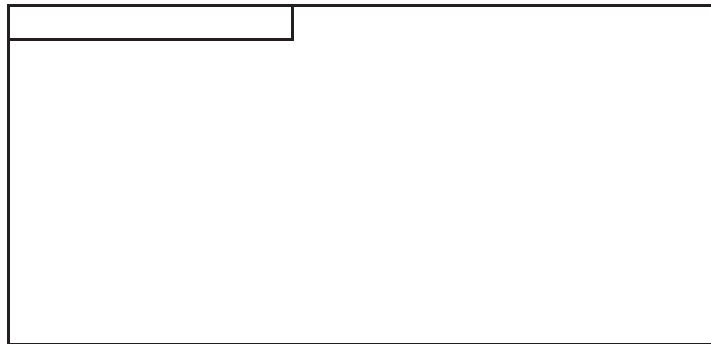
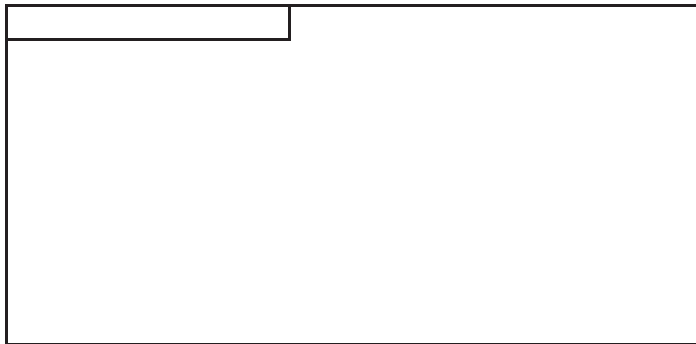
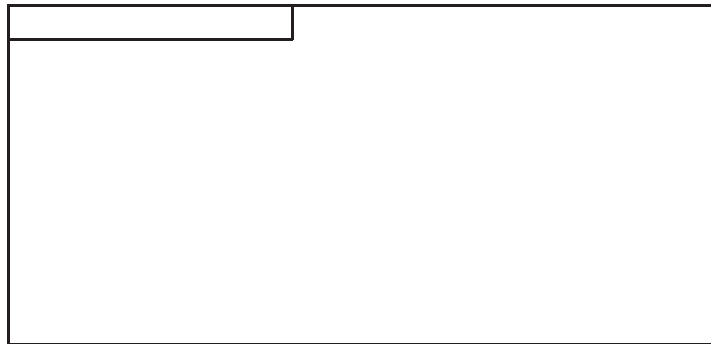
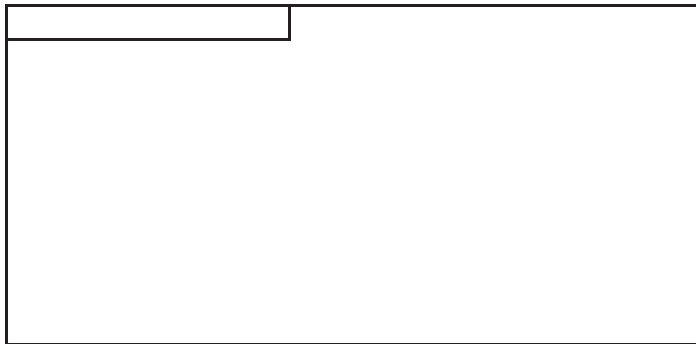
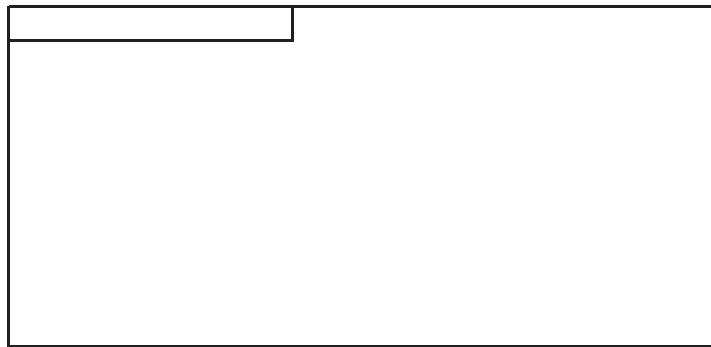
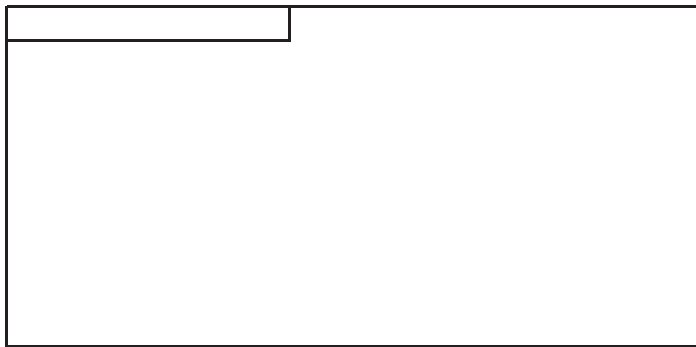
Regular
 Thickness 2,5
 Holes down countersink

Busatis 580200901

GB 2731

Regular
 Thickness 2,5
 Holes down countersink

Busatis 580201101
 Esm 244151



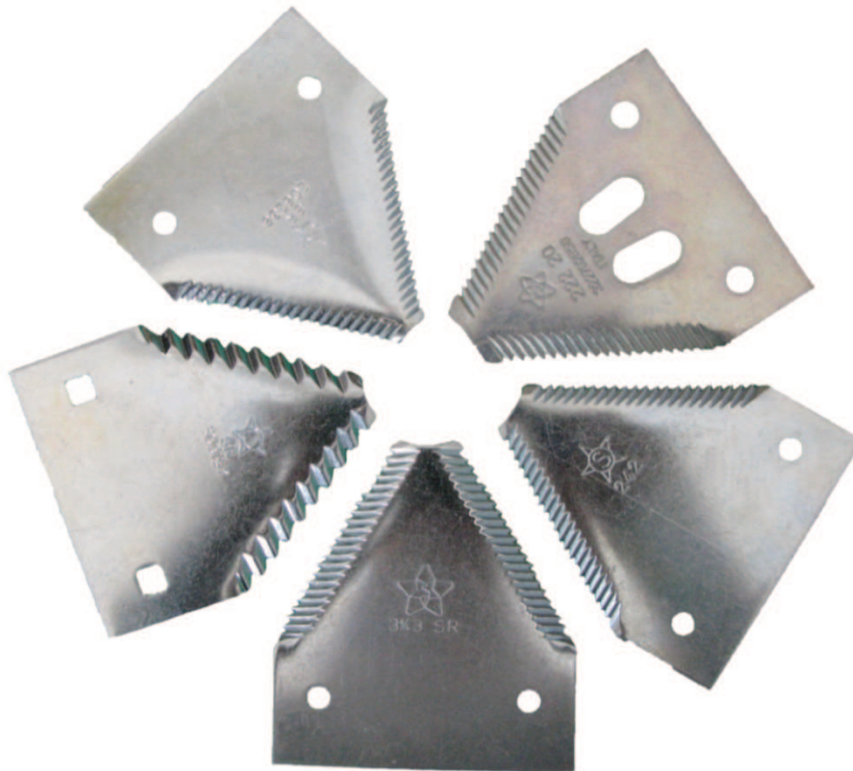
SEZIONI DI LAME FALCIATRICI - MOWERS BLADES
KLINGEN FÜR MAHMASCHINEN - SECTIONS FAUCHEUSES
SECCIONES CUCHILLAS MOTOSEGADORAS - СЕГМЕНТЫ ДЛЯ КОСИЛОК

Code	Adaptable to:	Code	Adaptable to:
-------------	----------------------	-------------	----------------------



COMBINE HARVESTER BLADES SICKLE SECTIONS

www.stellalame.com



**SEZIONI DI LAME MIETTITREBBIA - COMBINE HARVESTER BLADES
 MAHDRESCHER - MOISSONNEUSES BATTEUSES
 SECCIONES DE COSECHADORA - СЕГМЕНТЫ ДЛЯ ЗЕРНОУБОРОЧНЫХ КОМБАЙНОВ**

Code Adaptable to: Code Adaptable to:

343 S

Under serrated
Thickness 3

Clyson
New Holland 80365111

343 SR f.6,8

Top serrated
Thickness 2,7

New Holland
Laverda 321219850

343 SR f.5,5

Top serrated
Thickness 2,7

Laverda 365110
New Holland 80365110

343 SR f.6,25

Top serrated
Thickness 2,7

New Holland 87728899
Cnh 84429103

242 S

Under serrated
Thickness 2

Laverda 340443003
LF9R - 333 (MA-MB-ME)
Rasspe ME333-MB333

242 SR sp.2

Under serrated
Thickness 2

Hesston 49213 (soia)-049924
Laverda 321088250
New Holland 340443004
Hesston 49213 (CR)
New Holland 604921D (CR)

P49650 H SR

Top serrated
Thickness 2,7

J.Deere P49650H
J.Deere AZ32298

P49650 H S

Under serrated
Thickness 2

J.Deere

P55650 SR

Top serrated
Thickness 2,7

J.Deere P55650

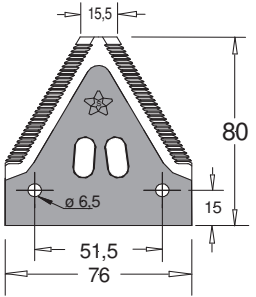
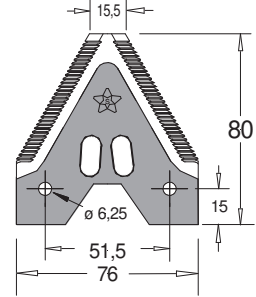
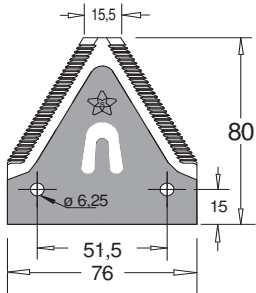
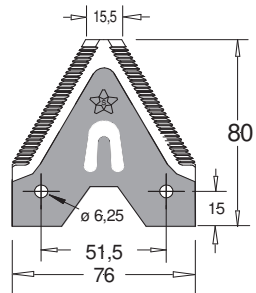
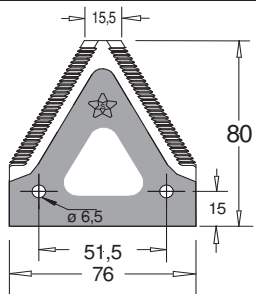
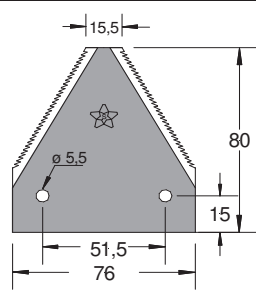
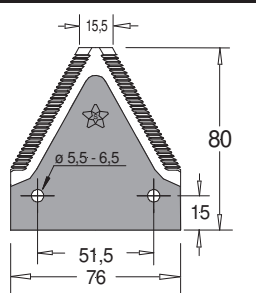
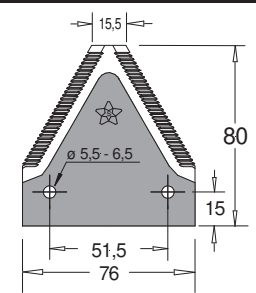
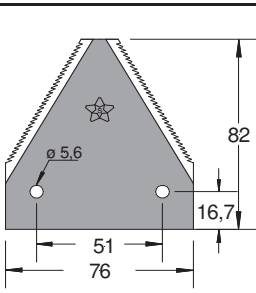
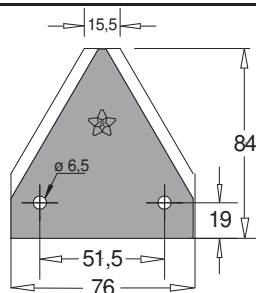
E 76370 SR

Top serrated
Thickness 2,7

(CR) J.Deere E 76370 - E 45996H



SEZIONI DI LAME MIETTITREBBIA - COMBINE HARVESTER BLADES
MAHDRESCHER - MOISSONNEUSES BATTEUSES
SECCIONES DE COSECHADORA - СЕГМЕНТЫ ДЛЯ ЗЕРНОУБОРОЧНЫХ КОМБАЙНОВ

Code	Adaptable to:	Code	Adaptable to:
222 20	Available version Galvanized (ZN)	222 20F	
 <p>Top serrated Thickness 2,7</p> <p>Sch 420100045 E28 - Sch 10961.06 (d.ti 20) Sch 420100046 C23 - Sch 10966.06 (d.ti 25) Sch 10978.06 (d.ti 14) - Agco 71386924 J.D. Z93077 (d.ti 20) - J.D. Z93078 (d.ti 25) J.D. AZ52672 - AZ40032 - AZ47493 Deutz Fahr 16007763 - CNH 4260714246 Laverda 322702850 - Laverda 327840145</p>		 <p>Top serrated Thickness 2,7</p>	J.Deere Deutz Fahr
222 U		222 UF	
 <p>Top serrated Thickness 2,7</p> <p>Sch 420 100 015 J.Deere AZ 40032</p>		 <p>Top serrated Thickness 2,7</p> <p>J.Deere AZ 40032 Sch 420 100 015 M.D.W - Fortschritt 4260-71424-6</p>	
222 T		DIN 80 S / L	
 <p>Top serrated Thickness 2,7</p> <p>Sch 10961.03 J.Deere Z47493 Sch 420.100.001 Deutz Fahr 065.035.30</p>		 <p>Under serrated / regular Thickness 2 Available also thickness 3</p> <p>Deutz Fahr 06227771 (S) Deutz Fahr 06227769 (L) Claas 522187 (S) Claas 522188 (L) J.Deere New Holland 80 420.016</p>	
DIN 80 3SR - DIN LAND 300		DIN 80 2SR	
 <p>Top serrated Thickness 2,7</p> <p>Claas Din Land 300</p>		 <p>Top serrated Thickness 2</p> <p>J. Deere Claas 522187 New Holland 80 420.019 = MZ534.062.05</p>	
E 76371 S		611318 L	
 <p>Under serrated Thickness 3</p> <p>(CR) J.Deere E 76371 - H 21530</p>		 <p>Regular Thickness 3</p> <p>Claas 611318</p>	



**SEZIONI DI LAME MIETTITREBBIA - COMBINE HARVESTER BLADES
 MAHDRESCHER - MOISSONNEUSES BATTEUSES
 SECCIONES DE COSECHADORA - СЕГМЕНТЫ ДЛЯ ЗЕРНОУБОРОЧНЫХ КОМБАЙНОВ**

Code **Adaptable to:** **Code** **Adaptable to:**

611203.1 SR

Top serrated
Thickness 2,7

Claas 611203.1

611316 S

Under serrated
Thickness 3

Claas 611316

9145 S

Under serrated
Thickness 2

Arbos 59174 (f.5,5)
Arbos 9145 (f.7,5)

9145 SR

Top serrated
Thickness 2,7

Arbos J.Deere PK23700H

206236 S

Under serrated
Thickness 3

Lova 20623614

206236 SR M1H

Top serrated

Thickness 2 mm
 Arbos 64861 (f.5,5) - 64860 (f.7,5)
 Massey Ferguson - Lova
 33176117 M1
Thickness 2.7 mm
 Arbos 70899 (f.5,5) - 70897 (f.7,5)
 Sampo 0498820

309197 SR

Top serrated
Thickness 2,7

New Holland 80309197
 Clyson
 J.Deere H79611 - H84413
 J.Deere H125893 (Cr)

309197 S

Under serrated
Thickness 3

New Holland 80322481
 Clyson 322481
 Laverda 340443023
 J.Deere 84415
 Claas

309197 SR Q

Top serrated
Thickness 2,7

New Holland 80755207
 New Holland 84998682
 New Holland 84992425
 New Holland 80755207 CR

CA826720 C2

Top serrated
Thickness 2,7

Cnh 112074
 Case CA826720 C2



SEZIONI DI LAME MIETTITREBBIA - COMBINE HARVESTER BLADES
MAHDRESCHER - MOISSONNEUSES BATTEUSES
SECCIONES DE COSECHADORA - СЕГМЕНТЫ ДЛЯ ЗЕРНОУБОРОЧНЫХ КОМБАЙНОВ

Code Adaptable to: Code Adaptable to:

242 SR sp.3

Top serrated
Thickness 2,7

Cnh 49254
Dronningborg 44100000
Hesston 049916 = 049254
PT / 1010
700702966 - MC 333.5
Hesston 049916 (CR)
Hesston 049254 (CR)

242 SR sp. 3 f.6,5

Top serrated
Thickness 2,7

Dronningborg 44103700

MCD SR

Top serrated
Thickness 2,7

Mac Don 102053 (large tooth)
Mac Don 158516 (large tooth)
Mac Don 34390 (fine tooth) - App. Case 87422066

86615988 SR

Top serrated
Thickness 2,7

Cnh 86615988

86615986 SR

Top serrated
Thickness 2,7
Holes up countersink

Cnh 86615986

86615987 SR

Top serrated
Thickness 2,7
Holes down countersink

Cnh 86615987

ST 7000

Top serrated
Thickness 2,7
Available also galvanized

GB 7000
Claas 650561.0
New Holland 848093

ST 6000

Top serrated
Thickness 2,7
Available also galvanized

DC 6000
GB 6000 (up countersink)
Laverda 320802350 (down countersink)

ST 163131

Top serrated
Thickness 2,7
Large tooth
(7 serration/inch)

NEW
John Deere H163131

ST 153329

Top serrated
Thickness 2,7
Fine Tooth

NEW
John Deere H153329



SEZIONI DI LAME MIETITREBBIA - COMBINE HARVESTER BLADES
MAHDRESCHER - MOISSONNEUSES BATTEUSES
SECCIONES DE COSECHADORA - СЕГМЕНТЫ ДЛЯ ЗЕРНОУБОРОЧНЫХ КОМБАЙНОВ

Code

Adaptable to: Code

Adaptable to:

--

--

--

--

--

--

--

--

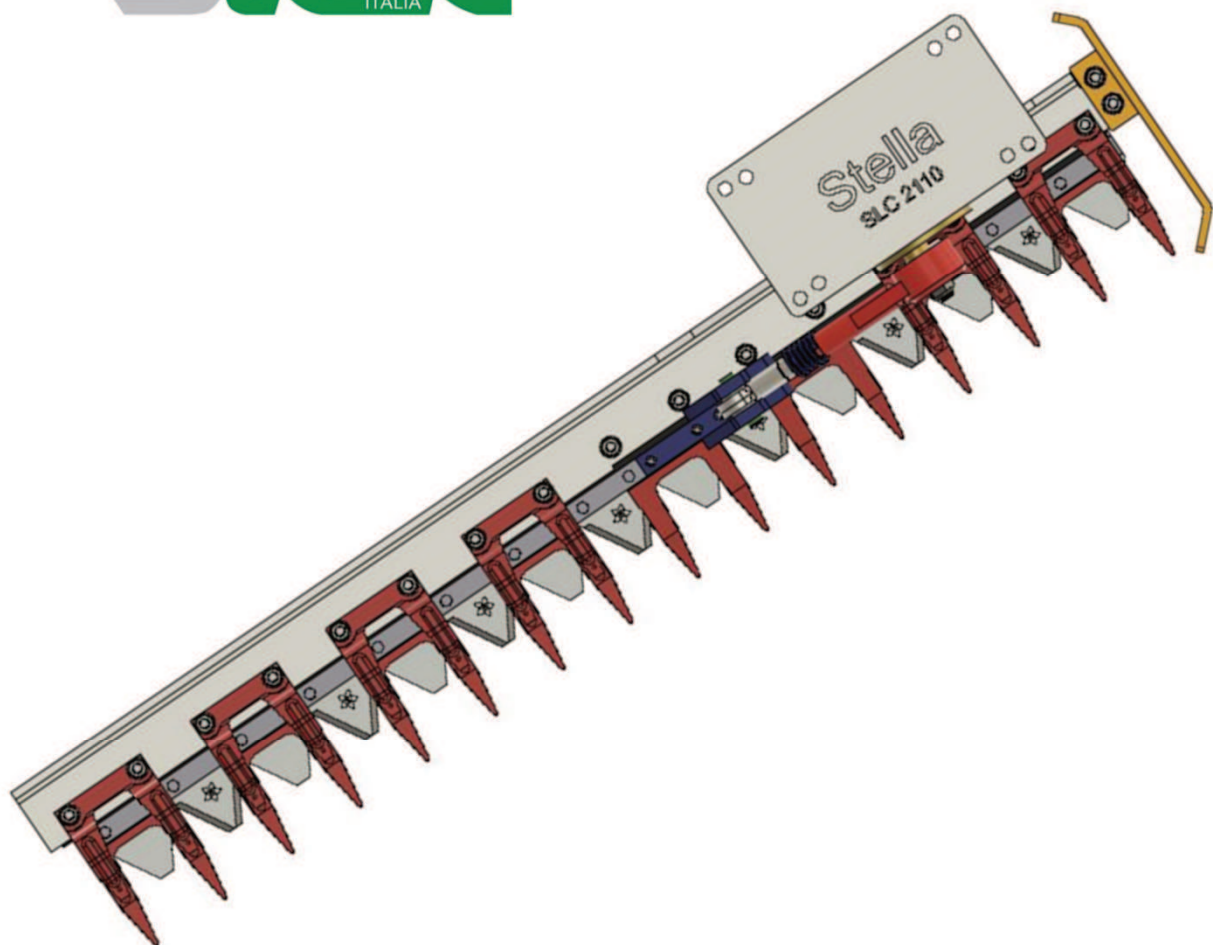
--

--



BLADES FOR VITICULTURE

www.stellalame.com



NEW CUTTING UNIT
Testa rossa
for viticulture & forest

NEW CUTTING UNIT

Testa rossa

for viticulture & forest

The Cutting Unit STELLA Testa Rossa is perfect for cutting vegetation and dry items up to 3 cm of diameter. The cutting unit has three standard lengths and it's ready to be fixed or adapted on every machine

Type	Code	Length (cm)	Cutting diam (mm)	Dimens.	N° of laps (max)	Weight (Kg)	Engines Cm3*
TR 120	SLC 2110	120	25/30	122x20	350	29	50/80/100
TR 150	SLC 2120	150	25/30	152x20	350	36	50/80/100
TR 180	SLC 2130	180	25/30	182x20	350	43	50/80/100

* Engine optional

Main application: **Viticulture, Forestal and green maintenance**



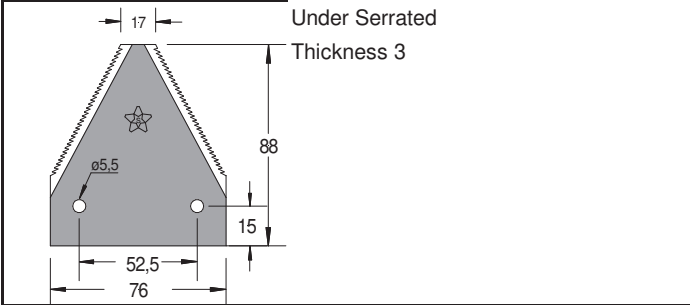
LAME PER VITICOLTURA E CIMATRICI - BLADES FOR VITICULTURE
KLINGEN FÜR DEN WEINBAU - SECTIONS POUR LA VITICULTURE
CUCHILLAS PARA LA VITICULTURA - НОЖИ СТРИГАЛЬНЫХ МАШИН ДЛЯ ВИНОГРАДСТВА

Code

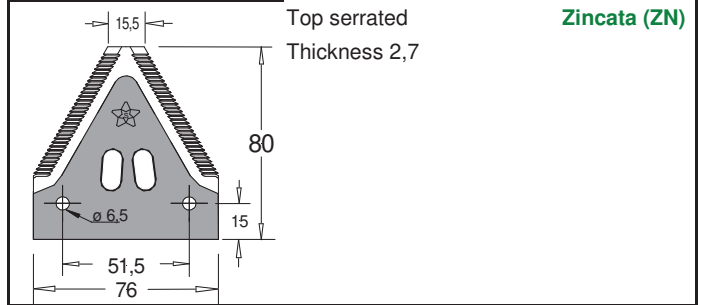
Adaptable to: Code

Adaptable to:

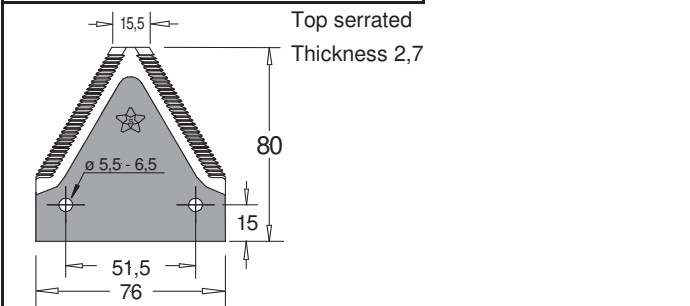
89x3 S f. 5,5



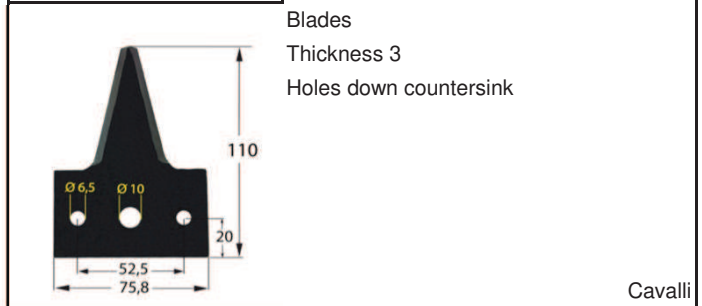
222 20



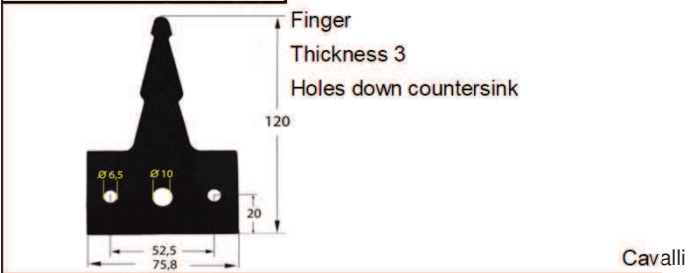
DIN 80 3SR - DIN LAND 300



FRANCIACORTA



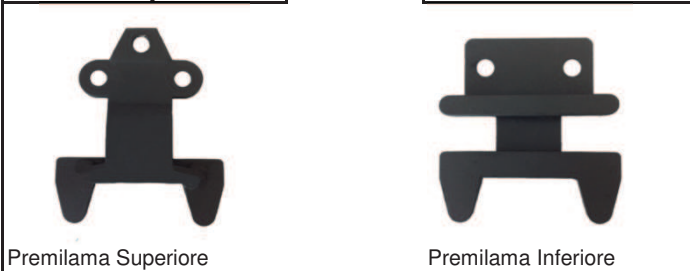
VITE ITALIANA



STDM 01 UNIVERSALE



P/lama Sup.



P/lama Inf.



DM 1



Code bars

N° sections/fingers Length

Notes

Code bars	N° sections/fingers	Length	Notes
SLC 2010	24/25	1,90	Vertical bar
SLC 2020	20/21	1,60	Vertical bar
SLC 2030	26/27	2,05	Vertical bar
SLC 2040	11/12	0,85	Horizontal bar

Available also the rods assemblies with blades Franciacorta or fingers Vite Italiana unassembled in bars



LAME PER VITICOLTURA E CIMATRICI - BLADES FOR VITICULTURE
KLINGEN FÜR DEN WEINBAU - SECTIONS POUR LA VITICULTURE
CUCHILLAS PARA LA VITICULTURA - НОЖИ СТРИГАЛЬНЫХ МАШИН ДЛЯ ВИНОГРАДСТВА

Code

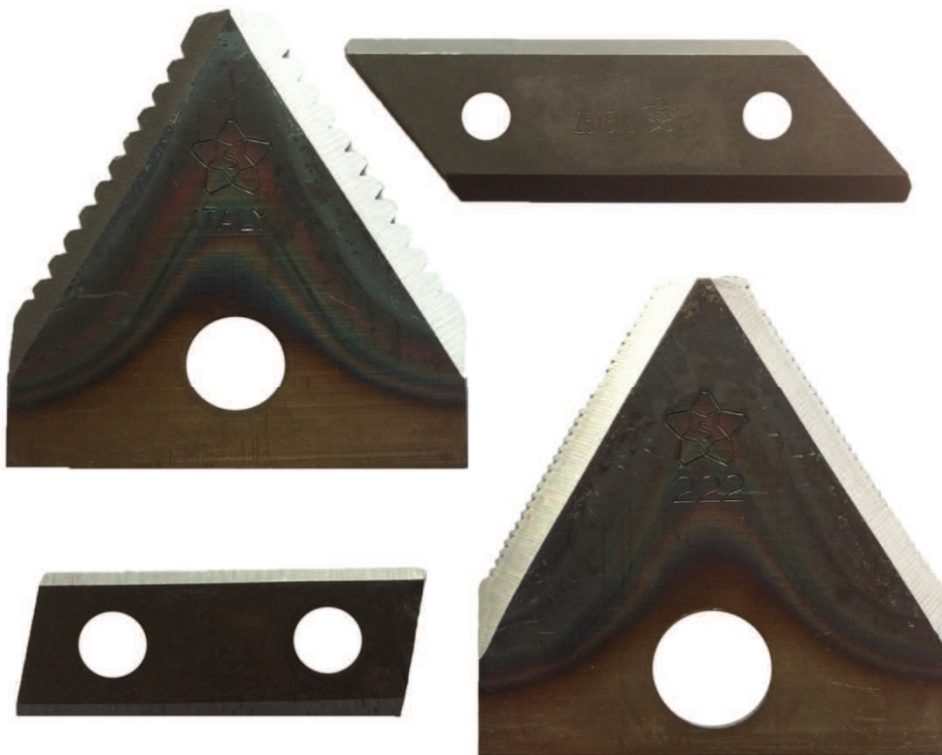
Adaptable to: Code

Adaptable to:



BIO SHREDDER BLADES

www.stellalame.com



BIOTRITURATORI - BIO SHREDDER
БИОНАЕКСЛЕР - БРОЙЕРС
BIOTRITURADORES - НОЖИ ДЛЯ БИОИЗМЕЛЬЧИТЕЛЕЙ

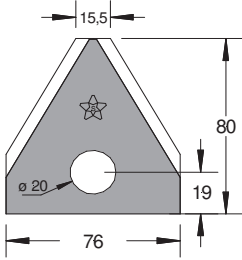
Code

Adaptable to: Code

Adaptable to:

W DIN 80

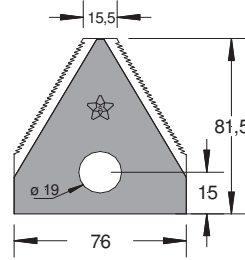
Regular
Thickness 2



Wagner

222 1 F

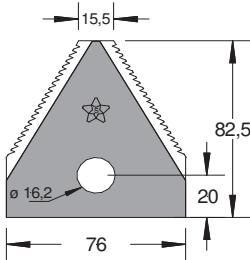
Under serrated
Thickness 2 / 3



Nagri

BIO T1

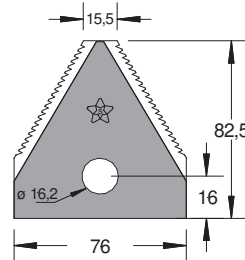
Under serrated
Thickness 3



Bio Caravaggi 60-80

BIO T2

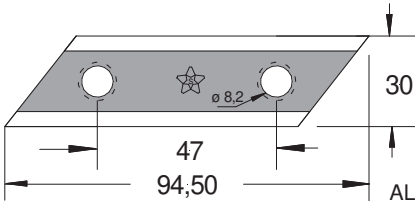
Under serrated
Thickness 3



Bio Prof Caravaggi 50-150

SG 26

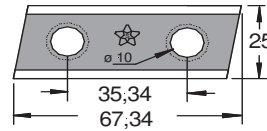
Regular
Thickness 3



AL-KO 325967
Sandrigarden 261800

SG 27

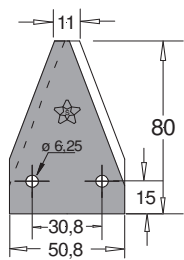
Regular
Thickness 2



Sandrigarden 275420

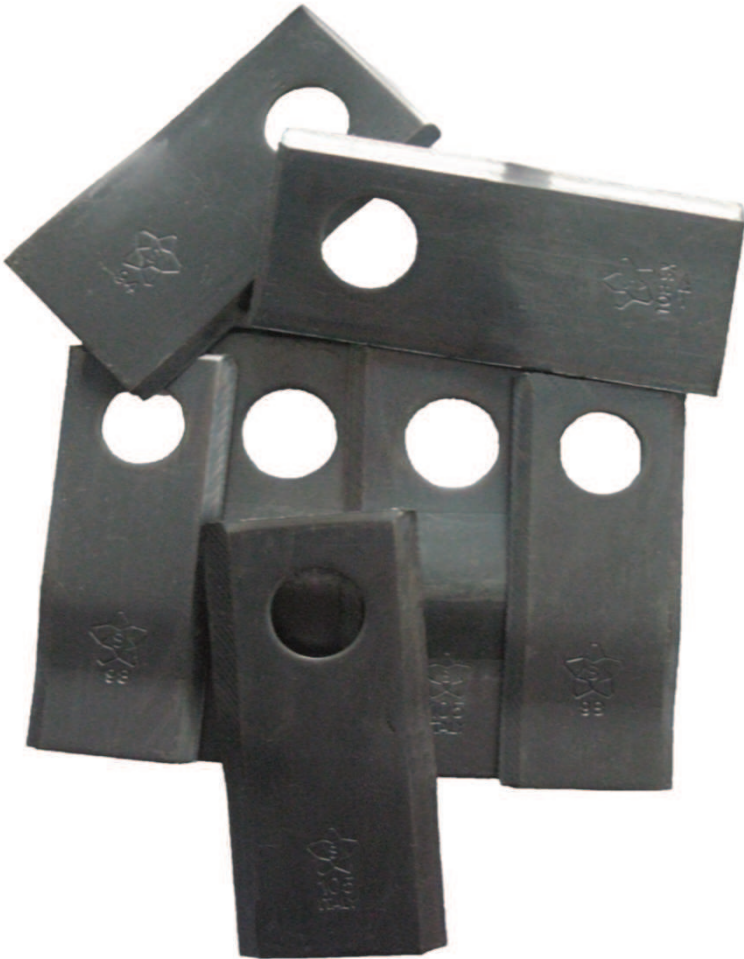
D2001 L TA

Regular
Thickness 2,5



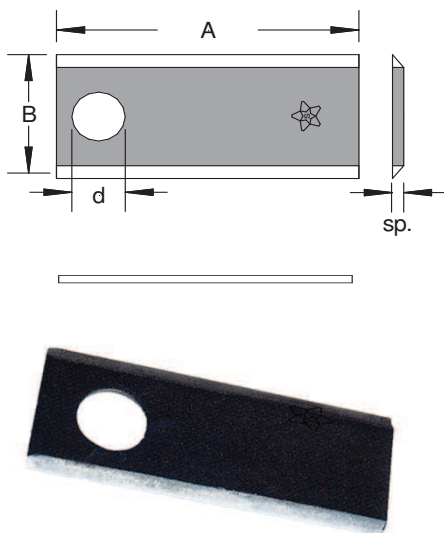
ROTARY MOWER KNIVES

www.stellalame.com



COLTELLI PER FALCIATRICI ROTATIVE - ROTARY MOWER KNIVES
ROTOR KLINGEN - COTEAUX DE FAUCHEUSES ROTATIVES
CUCHILLAS PARA SEGADORAS ROTATIVAS - НОЖИ ДЛЯ РОТОРНОЙ КОСИЛКИ

DIRITTO - STRAIGHT
GERADE - DROIT - DERECHO - Прямой

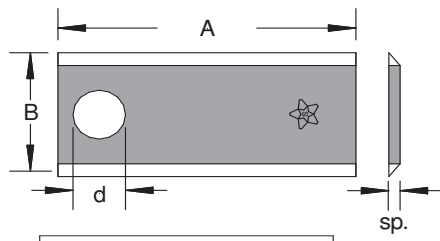


STELLA CODE					APPLICATION	ADAPTABLE TO ORG
D	A	B	d	sp.		
D	83	40	19	3	FAHR KRONE KRONE	1.1019.010.282.00 1431490 1372 242 7
D	88	40	19	3	CLAAS FAHR FAHR FELLA GARNIER KRONE KRONE LINCE NIEMEYER PÖTTINGER RS WELGER ZWEEGERS	977.516.0 0653 1543 1-1019-010-271.20/88 477 741 4460101001 141071.0 143149.3 088 D 11.065 434992 15 01 331 0982.1501.00 MT 52
D	90	40	19	3	CLAAS FAHR FAHR (NEW) FELLA IHC IHC KRONE NIEMEYER NIEMEYER PÖTTINGER RASSPE RASSPE WELGER ZWEEGERS	977 516.0 1-1019-010-271.20/90 0656 1543 477 741 1133937 R1 3101549 R1 143 149 4 570 400 11.065 434992 1.501.331 80-10-46 0982.15.01.00 MT 52S
D	94	40	19	3	CLAAS FAHR FAHR (NEW) FARENDLOSE NIEMEYER RASSPE	978 186.0 1-1012-030-115.00 0656 1542 00.0114.054 11.079 RS 20.01.331
D	94	40	16,25	3	KUHN NEW HOLLAND NEW HOLLAND	561.500.00 549 757 274 230



COLTELLI PER FALCIATRICI ROTATIVE - ROTARY MOWER KNIVES
ROTOR KLINGEN - COTEAUX DE FAUCHEUSES ROTATIVES
CUCHILLAS PARA SEGADORAS ROTATIVAS - НОЖИ ДЛЯ РОТОРНОЙ КОСИЛКИ

DIRITTO - STRAIGHT
GERADE - DROIT - DERECHO - Прямой

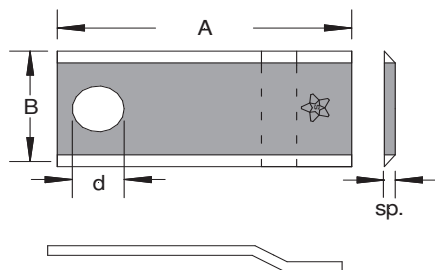


STELLA CODE					APPLICATION	ADAPTABLE TO ORG
	A	B	d	sp.		
D	96	40	19	3	CASE CLAAS FARENDLOSE FAHR (NEW) FAHR FELLA FELLA IHC IHC (JI CASE) KRONE NIEMEYER PÖTTINGER PÖTTINGER PZ MT WELGER	113 3941 R1 978 241.4 00-011-054 0656 1542 1.1012.030.115.00 477 740 116 954 3101547 R1 1133936 R1 143698.0 570 404 434 991 700 06 165 0 452 S 09821506.00
D	98	40	19	3	BCS FAHR FARENDLOSE FORT GALFRE' MARANGON MORRA	580.29045.4 671 36/49 00.011.069 98D 98D 98D 98D
D	100	40	19	3	BCS FAHR	580 29045
D	108	40	19	3	MORRA	108/D
D	96	48	21	3	SIP	152 147 607
D	100	48	19	3		
D	100	48	21	3		
D	105	48	21	3	HAGEDORN SIP ZWEEGERS	1 4 7040 151019702 CM15
D	108	48	21	3	BELLON BELLON GALFRE' MORRA MARANGON NEW HOLLAND PZ	1803364 108D 108D 108D 108D 495 806 CM15 = 108D
D	108	48	19	3	GALFRE'	108D/19
D	96	40	19	4	CLAAS CLAAS JF FREUDENDAHL FELLA FELLA	949 240.0 949 240 .1 130-0025 477 762 116 956
D	108	40	19	4	GALFRE'	108D/19
D	102	45	16,5	4		
D	123	45	18,2	4	KUHN	564.512.10
D	105	48	19	4	FELLA	122.331
D	108	48	19	4	FORTSCHRITT	0310 4179 504



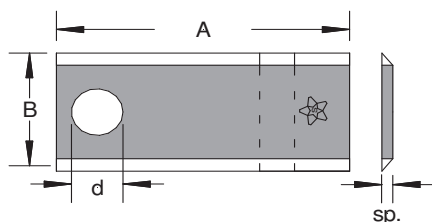
COLTELLI PER FALCIATRICI ROTATIVE - ROTARY MOWER KNIVES
ROTOR KLINGEN - COTEAUX DE FAUCHEUSES ROTATIVES
CUCHILLAS PARA SEGADORAS ROTATIVAS - НОЖИ ДЛЯ РОТОРНОЙ КОСИЛКИ

PIEGATO NORMALE - NORMAL BENDED
NORMAL GEBOGEN - PLIE' NORMALE - DOBLADA
Изогнутый



STELLA CODE					APPLICATION	ADAPTABLE TO ORG
	A	B	d	sp.		
PN	88	40	19	3	LINCE SUPERTINO	90P 88 P
PN	90	40	19	3	LINCE	90/P
PN	94	40	19	3	BELLON FAHR MORRA MARANGON	1-1017-010-153.22 94 P
PN	96	40	19	3	FAHR FAHR (NEW) FELLA FELLA IHC PÖTTINGER ZWEEGERS	1-1017-010-153.00 0656 1541 478 962 = 478.963 124 243 1133938R1 434993 TT97
PN	98	40	19	3	FARENDLOSE FELLA FORT FAHR GALFRE' MARANGON MORRA	00-11-07 124243 98P 98P 98P 98P
PN	108	40	19	3		
PN	105	48	21	3		
PN	108	48	19	3	GALFRE' BELLON GALFRE' NEW HOLLAND	108P
			21			1803365 108P 495 807

PIEGATO FORTE - STRONG BENDED
STARK GEBOGEN - FORT PLIE' - DOBLADA FUERTE
Сильно изогнутый

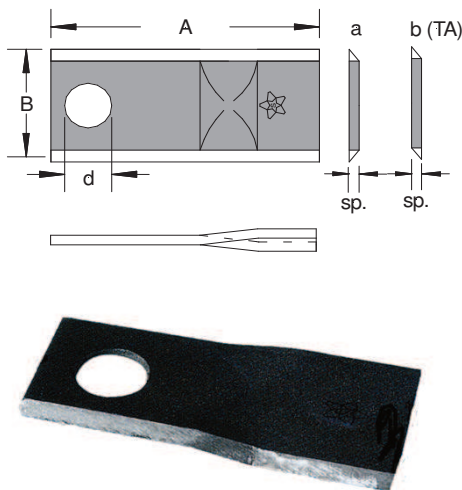


STELLA CODE					APPLICATION	ADAPTABLE TO ORG
	A	B	d	sp.		
PF	96	40	19	3	SUPERTINO P.F.	
PF	98	40	19	3		
PF	108	50	17	4	MAXAM	



COLTELLI PER FALCIATRICI ROTATIVE - ROTARY MOWER KNIVES
ROTOR KLINGEN - COTEAUX DE FAUCHEUSES ROTATIVES
CUCHILLAS PARA SEGADORAS ROTATIVAS - НОЖИ ДЛЯ РОТОРНОЙ КОСИЛКИ

ELICOIDALE - HELICOIDAL
SCHRAUBENFORMIG - HELICOIDAL - Винтовой

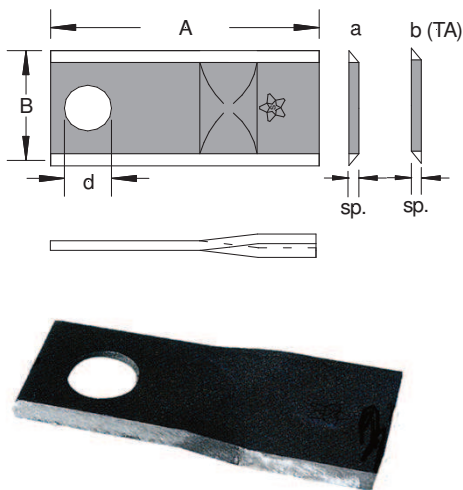


STELLA CODE						APPLICATION	ADAPTABLE TO ORG	SIDE
EL	A	B	d	sp.				
EL	88	40	16,25	3	a	KUHN	561.510.00	LH
						KUHN	561.511.00	RH
EL	90	40	19	3	b	WELGER	0982.15.08.00	LH
						WELGER	0982.15.09.00	RH
EL	93	40	16,25	3	a	CASE	113 3939	LH
						CASE	113 3940	RH
						GASPARDO	513	LH
						GASPARDO	512	RH
						IHC (JI CASE)	1133939R1	LH
						IHC (JI CASE)	1133940R1	RH
						IHC (JI CASE)	3160419R1	LH
						IHC (JI CASE)	3160420R1	RH
						JOHN DEERE	CC 19 336	LH
						JOHN DEERE	CC 19 333	RH
						KUHN	561.512.00	LH
						KUHN	561.513.00	RH
						NEW HOLLAND	274 096	LH
						NEW HOLLAND	274 097	RH
EL	94	40	19	3	b	KRONE	147 419 5	LH
						KRONE	147 302 5	RH
						NEW HOLLAND	402 244	LH
						NEW HOLLAND	402 243	RH
EL	96	40	19	3	a	FAHR	1.1603.010.197.00	LH
						FAHR	1.1603.010.198.00	RH
						FAHR	0656 1547	LH
						FAHR	0656 1546	RH
						FAHR	1650 2727	LH
						FAHR	1650 2726	RH
						PÖTTINGER	434 996	LH
						PÖTTINGER	434 995	RH
						PÖTTINGER	434 998	LH
						PÖTTINGER	434 997	RH
EL	100	40	19	3	b	BCS	58029096	LH
						BCS	58029095	RH
						GRIBALDI & SALVIA	26013/S	LH
						GRIBALDI & SALVIA	26013/D	RH
EL	93	48	19	3	b	KRONE	151 386 0	LH
						KRONE	151 385 0	RH
						KRONE	145 869 1	LH
						KRONE	145 868 1	RH



COLTELLI PER FALCIATRICI ROTATIVE - ROTARY MOWER KNIVES
ROTOR KLINGEN - COTEAUX DE FAUCHEUSES ROTATIVES
CUCHILLAS PARA SEGADORAS ROTATIVAS - НОЖИ ДЛЯ РОТОРНОЙ КОСИЛКИ

ELICOIDALE - HELICOIDAL
SCHRAUBENFORMIG - HELICOIDAL - Винтовой

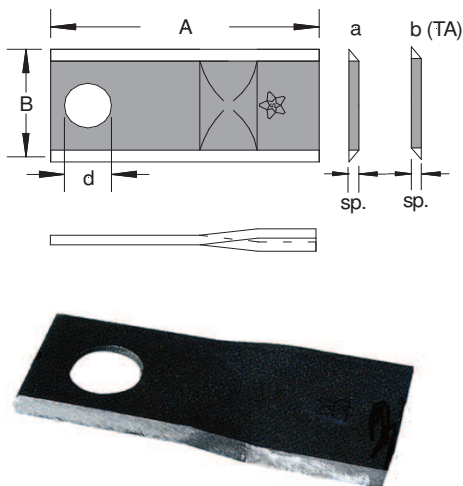


STELLA CODE						APPLICATION	ADAPTABLE TO ORG	SIDE
	A	B	d	sp.				
EL	94	48	19	3	b	CLAAS	104.339.0	LH
						CLAAS	104.340.0	RH
						KRONE	151386.0	LH
						KRONE	151385.0	RH
						NIEMEYER	570 409	LH
						NIEMEYER	570 410	RH
					a	FELLA	121 692	LH
						FELLA	121 693	RH
						ZWEEGERS	TF 70	LH
						ZWEEGERS	TF 71	RH
EL	100	48	19	3	b	CLAAS	952 729.0	LH
						CLAAS	952 728.0	RH
						CLAAS	904.178.6	LH
						CLAAS	904.177.6	RH
						CLAAS	904.178.7	LH
						CLAAS	904.177.7	RH
						CLAAS	904.797.0	LH
						CLAAS	904.796.0	RH
						FORTSCRITT	0301 1680	LH
						FORTSCRITT	0301 1697	RH
						NIEMEYER	570 413	LH
						NIEMEYER	570 414	RH
						NIEMEYER	570 419	LH
						NIEMEYER	570 418	RH
PÖTTINGER	434983	LH						
PÖTTINGER	434984	RH						
EL	105	48	19	3	b	CLAAS	904 178.8	LH
						CLAAS	904 177.8	RH
						ZWEEGERS	DN 382	LH
						ZWEEGERS	DN 383	RH
			21			CLAAS	104 266.0	LH
						CLAAS	104 267.0	RH
						KVERNELAND	CM 137	LH
						KVERNELAND	CM 138	RH
ZWEEGERS	CM 137	LH						
ZWEEGERS	CM 138	RH						
EL	107	48	21	3	b	COMER	4047015	LH
						COMER	4047016	RH
EL	108	48	19/21	3	a	GALFRE'	108 EL	LH
						GALFRE'	108 EL	RH
EL	110	48	21	3	a	CLAAS	105 878.0	LH
						CLAAS	105 873.0	RH
EL	110	48	21	3	b	COMER	0404 7016	LH
						COMER	0404 7015	RH
EL	108	40	19/21	4	b	GALFRE'		LH
						GALFRE'		RH
EL	94	48	19	4	b	BCS	58.031.193	LH
						BCS	58.031.192	RH



COLTELLI PER FALCIATRICI ROTATIVE - ROTARY MOWER KNIVES
ROTOR KLINGEN - COTEAUX DE FAUCHEUSES ROTATIVES
CUCHILLAS PARA SEGADORAS ROTATIVAS - НОЖИ ДЛЯ РОТОРНОЙ КОСИЛКИ

ELICOIDALE - HELICOIDAL
SCHRAUBENFORMIG - HELICOIDAL - Винтовой

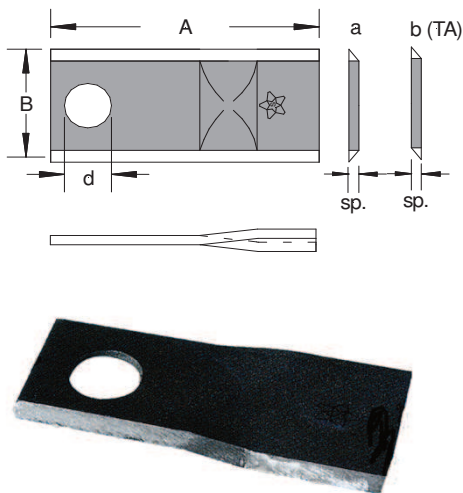


STELLA CODE						APPLICATION	ADAPTABLE TO ORG	SIDE
	A	B	d	sp.				
EL	94	48	19	4	b	KVERNELAND	TA 321	LH
						KVERNELAND	TA 322	RH
						PZ / ZWEEGERS	TA-321	LH
						PZ / ZWEEGERS	TA-322	RH
EL	96	48	19	4	b	FAHR	1650 3465	LH
						FAHR	1650 3464	RH
						FAHR	1650 3460	LH
						FAHR	1650 3658	RH
						KRONE	146 690 1	LH
						KRONE	146 691 1	RH
EL	98	48	19	4	b	BCS	58.036.091	LH
						BCS	58.036.090	RH
						FELLA	121 712	LH
						FELLA	121 713	RH
						GRIBALDI & SALVIA	121713/SP	LH
						GRIBALDI & SALVIA	121712/SP	RH
						PÖTTINGER	434 981	LH
						PÖTTINGER	434 982	RH
						SIP	153 171 311	LH
						SIP	153 171 419	RH
EL	100	48	19	4	b	GRIBALDI & SALVIA	46292	LH
						GRIBALDI & SALVIA	46291	RH
						FORTSCHRITT	0300 3350	LH
						FORTSCHRITT	0300 3367	RH
						PÖTTINGER	434 973	LH
						PÖTTINGER	434 974	RH
			21			PÖTTINGER	434 977	LH
						PÖTTINGER	434 978	RH
						MARANGON	980 204.171	LH
						MARANGON	980 204.170	RH
						MARANGON	MEL 100	LH
						MARANGON	MER 100	RH
EL	102	48	19	4	b	FELLA	140 693	LH
						FELLA	140 692	RH
EL	105	48	21	4	b	MARANGON	105	LH
						MARANGON	105	RH
					a	SITREX	110.119	LH
						SITREX	110.118	RH
EL	106	48	19	4	b	SIP	153 967 201	LH
						SIP	153 967 103	RH
						SIP	950 008 609	LH
						SIP	950 008 707	RH
						SIP	950 009 001	LH
						SIP	950 009 109	RH
						NIEMEYER	570 445	LH
						NIEMEYER	570 444	RH
						FELLA	122 329	LH
						FELLA	122 330	RH



COLTELLI PER FALCIATRICI ROTATIVE - ROTARY MOWER KNIVES
ROTOR KLINGEN - COTEAUX DE FAUCHEUSES ROTATIVES
CUCHILLAS PARA SEGADORAS ROTATIVAS - НОЖИ ДЛЯ РОТОРНОЙ КОСИЛКИ

ELICOIDALE - HELICOIDAL
SCHRAUBENFORMIG - HELICOIDAL - Винтовой

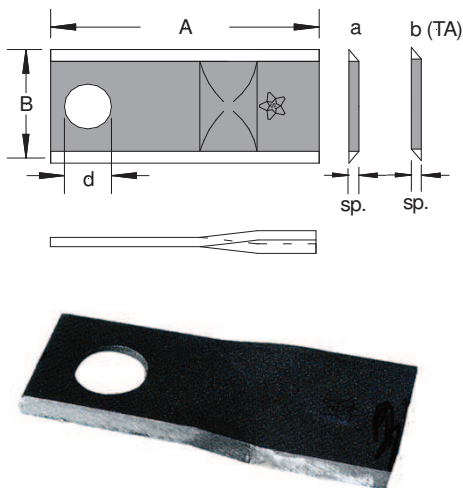


STELLA CODE						APPLICATION	ADAPTABLE TO ORG	SIDE
	A	B	d	sp.				
EL	107	48	18,5	4	b	KVERNELAND	B 087 5002	LH
						KVERNELAND	B 087 5001	RH
						HESSTON	700.711.858	LH
						HESSTON	700.711.857	RH
						HESSTON	700.715.576	LH
			HESSTON			700.715.575	RH	
			VICON			902 61559	LH	
			VICON			902 61560	RH	
			COMER			04047015/4	LH	
			COMER			04047016/4	RH	
EL	108	48	19	4	b	GALFRE'	434 985	LH
						GALFRE'	434 986	RH
						PÖTTINGER	434 985	LH
						PÖTTINGER	434 986	RH
						FORTSCRITT	0301 5161	LH
						FORTSCRITT	0301 5145	RH
			NIEMEYER			570 679 - 570 683	LH	
			NIEMEYER			570 680 - 570 684	RH	
			GRIBALDI & SALVIA			46362	LH	
			GRIBALDI & SALVIA			46363	RH	
			PÖTTINGER			434 971	LH	
			PÖTTINGER			434 972	RH	
EL	110	48	21	4	b	MARANGON	110 MEL	LH
						MARANGON	110 MER	RH
EL	112	48	19	4	b	KRONE	139 888 0	LH
						KRONE	139 889 0	RH
						FELLA	123 706	LH
						FELLA	123 707	RH
						FELLA	131 117	LH
						FELLA	131 118	RH
			FELLA			134 309	LH	
			FELLA			134 308	RH	
			STOLL			1122350	LH	
			STOLL			1122360	RH	
			J.F.			1380-0015	LH	
			J.F.			1380-0014	RH	
EL	112	48	21	4	b	PÖTTINGER	434 969	LH
						PÖTTINGER	434 970	RH
EL	115	48	19	4	b	CLAAS	952.043.0	LH
						CLAAS	952.042.0	RH
EL	120	48	18,5	4	b	FELLA	111 724	LH
						FELLA	111 725	RH
						FELLA	478 640	LH
						FELLA	478 641	RH



COLTELLI PER FALCIATRICI ROTATIVE - ROTARY MOWER KNIVES
ROTOR KLINGEN - COTEAUX DE FAUCHEUSES ROTATIVES
CUCHILLAS PARA SEGADORAS ROTATIVAS - НОЖИ ДЛЯ РОТОРНОЙ КОСИЛКИ

ELICOIDALE - HELICOIDAL
SCHRAUBENFORMIG - HELICOIDAL - Винтовой

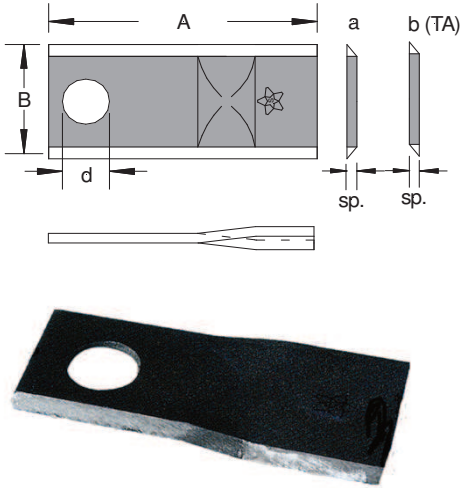


STELLA CODE						APPLICATION	ADAPTABLE TO ORG	SIDE
EL	A	B	d	sp.				
EL	120	48	18,5	4	b	JOHN DEERE	CC 21780	LH
						JOHN DEERE	CC 21781	RH
						KVERNELAND	B 191 9802	LH
						KVERNELAND	B 191 9902	RH
						LELY	4.1201.1473.0	LH
						LELY	4.1201.1474.0	RH
						LELY	9.1127.0003.2	LH
						LELY	9.1127.0004.3	RH
						NEW IDEA	526 216	LH
						NEW IDEA	526 215	RH
						NEW HOLLAND	444 266	LH
						NEW HOLLAND	444 267	RH
						NEW HOLLAND	784 220	LH
						NEW HOLLAND	784 221	RH
PÖTTINGER	434 988	LH						
PÖTTINGER	434 989	RH						
VICON	58 699 = 90258699	LH						
VICON	58 700 = 90258700	RH						
EL	95	45	16,25	3,5	a	JOHN DEERE	CC 20 500 = 19336	LH
						JOHN DEERE	CC 20 501 = 19333	RH
						KUHN	561.512.10	LH
						KUHN	561.513.10	RH
						NEW HOLLAND	766 726	LH
NEW HOLLAND	766 727	RH						
EL	98	45	16,25	3,5	a	FORT	4049 0006	LH
						FORT	4049 0005	RH
						MORRA		LH
MORRA		RH						
EL	107	45	21	4	a	BELLON	183 2532	LH
						BELLON	183 2533	RH
						BELLON	559 032 010 /21	LH
						BELLON	559 033 010 /21	RH
						ENOROSSI	12881270	LH
						ENOROSSI	12881271	RH
EL	107	45	18,25	4	a	FORT	40490006	LH
						FORT	49490005	RH
						JOHN DEERE	CC 26 780	LH
						JOHN DEERE	CC 26 781	RH
						KUHN	559.032.10	LH
						KUHN	559.033.10	RH
						NEW HOLLAND	853 819	LH
						NEW HOLLAND	853 820	RH
EL	112	45	21	4	b	ENOROSSI	12881434 - 18034173	LH
						ENOROSSI	12881435 - 18034193	RH
EL	116	45	18,25	4	a	JOHN DEERE	CC 23 488	LH
						JOHN DEERE	CC 23 499	RH
						KUHN	559.060.00	LH
						KUHN	559.061.00	RH
						NEW HOLLAND	785 608	LH
						NEW HOLLAND	785 609	RH



COLTELLI PER FALCIATRICI ROTATIVE - ROTARY MOWER KNIVES
ROTOR KLINGEN - COTEAUX DE FAUCHEUSES ROTATIVES
CUCHILLAS PARA SEGADORAS ROTATIVAS - НОЖИ ДЛЯ РОТОРНОЙ КОСИЛКИ

ELICOIDALE - HELICOIDAL
SCHRAUBENFORMIG - HELICOIDAL - Винтовой



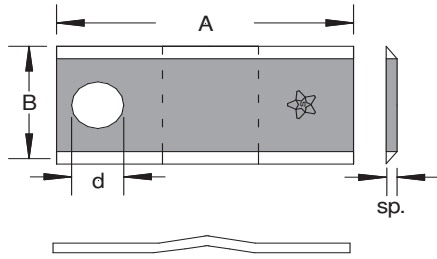
	STELLA CODE					APPLICATION	ADAPTABLE TO ORG	SIDE
	A	B	d	sp.				
EL	123	45	18,25	4	a	CLAAS	104 555.0	LH
						CLAAS	104 556.0	RH
						JOHN DEERE	CC 21 780	LH
						JOHN DEERE	CC 21 781	RH
						KUHN	564.512.00	LH
						KUHN	564.513.00	RH
EL	126	48	20,25x23	4	b	NEW HOLLAND	784 220	LH
						NEW HOLLAND	784 221	RH
						KVERNELAND	56110900	LH
						KVERNELAND	56110400	RH
						KVERNELAND	56781000	LH
						KVERNELAND	56782000	RH
EL	129	48	21	4	b	KUHN	56110900	LH
						KUHN	56110400	RH
						KUBOTA	KT 5611090001	LH
						KUBOTA	KT 5611040001	RH
EL	105	49	21	4	TA	MARANGON	980 204.183	LH
						MARANGON	980 204.184	RH
						MARANGON	MEL 129	LH
						MARANGON	MER 129	RH
EL	110	50	22,75	4	b	SAMASZ	025.05.57.00	LH
						SAMASZ	025.05.58.00	RH
EL	120	50	22,75	4	b	NEW HOLLAND	9847683	LH
						NEW HOLLAND	9847684	RH
EL	176	50	20,5	4	b	NEW IDEA / BUSH HOG	527749	LH
						NEW IDEA / BUSH HOG	527748	RH
EL	94	49	23	3	b	BCS	56419369	LH
						BCS	56419783	RH
EL	94	49	23	3	b	MÖRTL	T/673L	LH
						MÖRTL	T/673R	RH



COLTELLI PER FALCIATRICI ROTATIVE - ROTARY MOWER KNIVES
ROTOR KLINGEN - COTEAUX DE FAUCHEUSES ROTATIVES
CUCHILLAS PARA SEGADORAS ROTATIVAS - НОЖИ ДЛЯ РОТОРНОЙ КОСИЛКИ

PIEGATO PZ - BENDED PZ

GEBOGEN PZ - PLIE' PZ - DOBLADA PZ - Изогнутый PZ



STELLA CODE					APPLICATION	ADAPTABLE TO ORG
	A	B	d	sp.		
PZ	105	48	21	3	BELLON	105 PZ
					PZ CM	120.105
					PÖTTINGER	434 120
					CLAAS	104 004.1
					KRONE	143 237 0
					RZS	165
					RZS	419500310
					ZWEEGERS	CM 120
GREENLAND	CM 120					
PZ	108	48	21	3	BELLON	108 PZ
					MARANGON	CM120-108
					NEW HOLLAND	495.807
					ZWEEGERS PZ	CM 120/108
PZ	108	48	21	4	MARANGON	



COLTELLI PER FALCIATRICI ROTATIVE - ROTARY MOWER KNIVES
ROTOR KLINGEN - COTEAUX DE FAUCHEUSES ROTATIVES
CUCHILLAS PARA SEGADORAS ROTATIVAS - НОЖИ ДЛЯ РОТОРНОЙ КОСИЛКИ



BOLTS and NUTS

www.stellalame.com



VITI, DADI & BULLONI - BLADE BOLT & NUT
KLINGEBOLZEN & SICHERUNGSMUTTER - BOULONS & ÉCROU
TORNILLOS & TUERCA - ВИНТЫ, ГАЙКИ И БОЛТЫ

Code

Adaptable to: Code

Adaptable to:

Bolts and nuts for harvester combine and fingers

M6 x 16



Laverda 322707450+360653406
 SCH 420100012+001106001
 SCH 10931 + 13961
 John Deere

M10 x 35

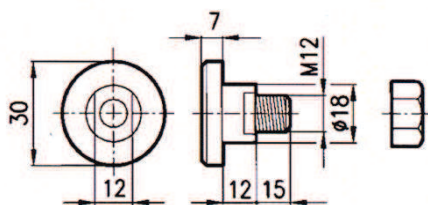


NEW

SCH 13014 + 13955
 011106621 + 011701711
 Varie

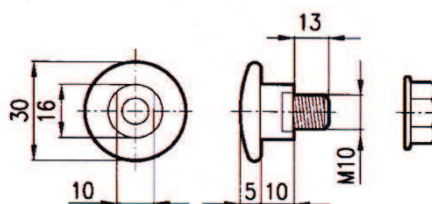
Bolts for rotary mowers knives

BM1215



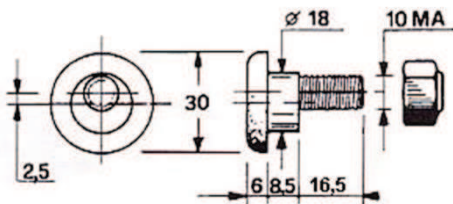
Kuhn 56115800
 J.Deere CC19994
 New Holland 687552

BM1013



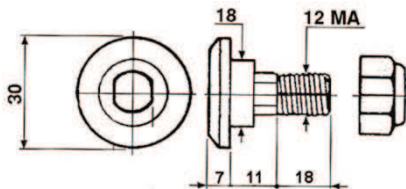
Kuhn 56210100
 J.Deere CC19989
 New Holland 274092-766728

BM1016



Vicon 81160
 New Holland
 John Deere

BM1218



Vicon B1374593

Bolts for shredder / feed mixer

M12 x 40



NEW

Storti 161213334 (Bolt)
 Storti 90800513 (Nut)
 Storti 90809007 (Nut self-locking)

M10 x 35 Q



Storti
 Other brands

M 16 x 55 Q

M 12 x 40 Q



Various brands



STRAW CHOPPER KNIVES & BUSHING

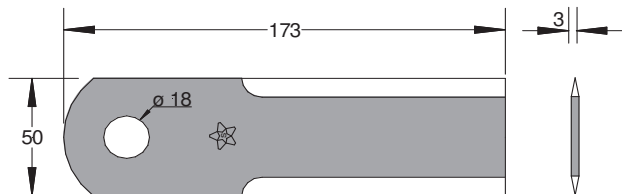
www.stellalame.com



TRINCIAPAGLIA - STRAW CHOPPER KNIVES
STROHNACKSLERMESSER - COUTEAUX BROYEUR DE PAILLE
CUCHILLAS CORTARAJAS - НОЖИ СОЛОМОИЗМЕЛЬЧИТЕЛЯ

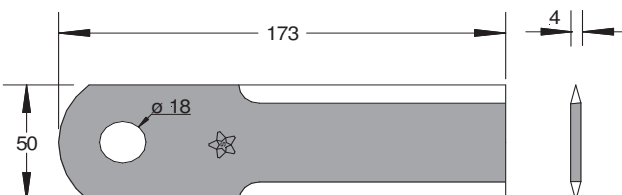
Code **Adaptable to:** **HEAT TREATMENT**

TPML 50-3-18



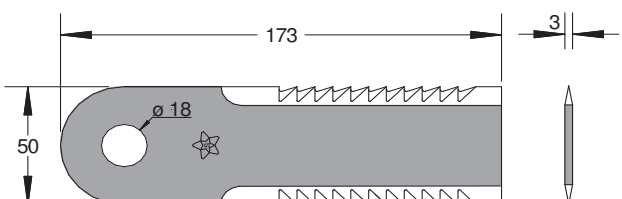
Biso	28259044	Total
Biso	28.801.405-0014	Total
Biso	28.801.405-0032/33	Total
Claas	060.017.2	Hole + cutting
J. Deere	Z.35.221	Cutting
M. Ferguson	1730 728 M2	Total
New Holland	746 812	Total
New Holland	80 746812	Hole + cutting
Laverda	321723250	Hole + cutting
Laverda	320706150	Total
Deutz Fahr	0654-5847	Hole + cutting
Lova	28-14	Total

TPML 50-4-18



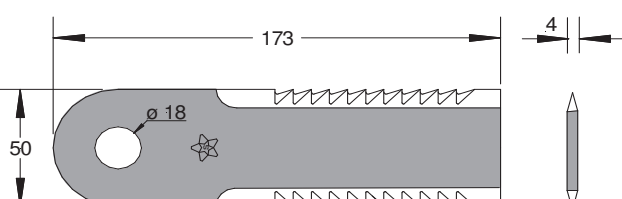
Dronningborg	490 18900	
Biso	28272068	Hole + cutting
Biso	28.345-115	
Biso	28.801.405-0034	
Biso	28.272.028 / 28.274.048	
Claas	821075.0 = 060.017.2-4	
J. Deere	Z.48.237 / Z.53.454	Hole + cutting
New Holland	80 746813	Hole + cutting
New Holland	80 743557	Hole + cutting
Lova	28.14-4	Total
Dronningborg	490 17800	
Deutz Fahr	0654 6847	

TPMS 50-3-18



Biso	28.274-024	Hole + cutting
Claas	065.294.0	

TPMS 50-4-18



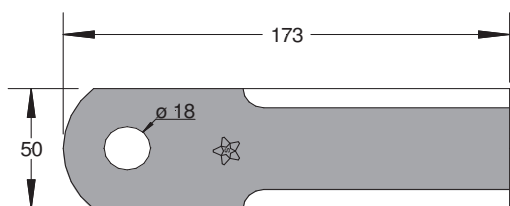
Biso	28.274.025 / 28.274.036	Hole + cutting
Biso	28-345-117	
Biso	28.274-051	
Biso	28-14-4 Z	
New Holland	9510635	Hole + cutting
New Holland	89815911 / 84065059	
CNH	86517963	
CNH	84441392	(bent)
J. Deere	Z77601	
Deutz Fahr	1600 0617	



TRINCIAPAGLIA - STRAW CHOPPER KNIVES
STROHNACKSLERMESSER - COUTEAUX BROYEUR DE PAILLE
CUCHILLAS CORTAPAJAS - НОЖИ СОЛОМОИЗМЕЛЬЧИТЕЛЯ

Code **Adaptable to:** **HEAT TREATMENT**

TPML 50-5-18

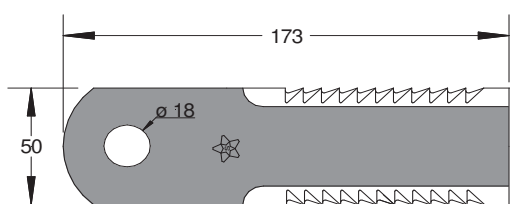


J. Deere

Z.42.176

Cutting

TPMS 50-5-18

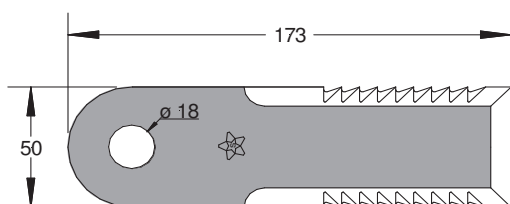


New Holland

84437624

Total

TPMS TTL 50-4-18



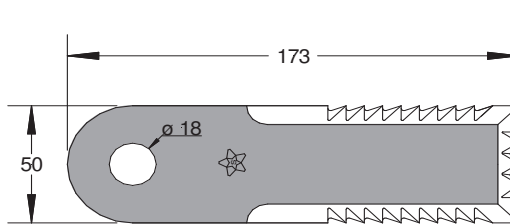
Laverda

322326450

Hole + cutting

New Holland

TPMS TTS 50-4-18



J. Deere

Z.55.610

Hole + cutting

Biso-Titanio

28274490000

Hole + cutting

Biso

282740410000

Hole + cutting

Biso

18173504

Claas

Laverda

322235450

Hole + cutting

New Holland

89833966

Hole + cutting

New Holland

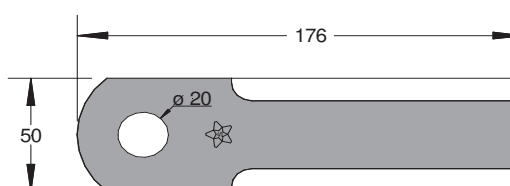
84037550

Hole + cutting

Deutz Fahr

160018725

TPML 50-3,5-20



Rekord

41 348

Hole + cutting

40741348



TRINCIAPAGLIA - STRAW CHOPPER KNIVES
STROHNACKSLERMESSER - COUTEAUX BROYEUR DE PAILLE
CUCHILLAS CORTARAJAS - НОЖИ СОЛОМОИЗМЕЛЬЧИТЕЛЯ

Code **Adaptable to:** **HEAT TREATMENT**

TPML 50-4,5-20

	Rekord	44 280	Hole + cutting
	Laverda	320999350	Total
	New Holland	840196200	

TPMS 50-4,5-20

	Rekord	84068444	Hole + cutting
	New Holland	Z 75875	Total
	J. Deere	49074600	
	M. Ferguson		

TPML 50-3-21

	Lova	2209.0015-S1	Total
--	------	--------------	-------

TPML 50-3-18 L177

	Laverda	2109	Total
--	---------	------	-------

TPML 50-3-12

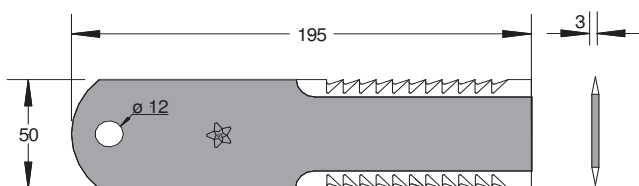
	Claas	060.030.2	Cutting
	Claas	060.030.0	
	J. Deere	Z.35.241	Cutting
	Lova	2309.0045-S1	Total
	Biso	41.001-121	
	Dronningborg	490 19000	
	Laverda	320706250 - 321722850	Cutting



TRINCIAPAGLIA - STRAW CHOPPER KNIVES
STROHNACKSLERMESSER - COUTEAUX BROYEUR DE PAILLE
CUCHILLAS CORTAPAJAS - НОЖИ СОЛОМОИЗМЕЛЬЧИТЕЛЯ

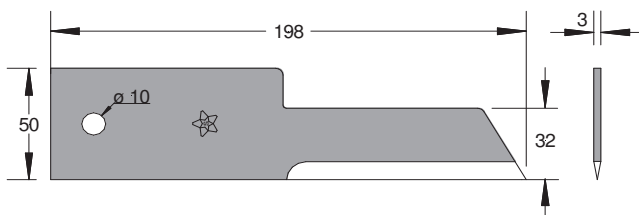
Code **Adaptable to:** **HEAT TREATMENT**

TPMS 50-3-12



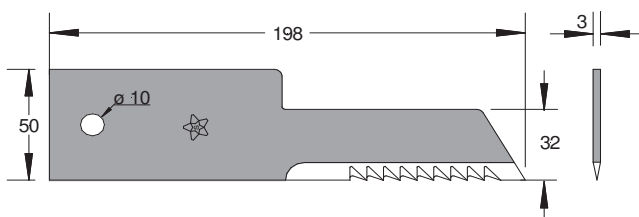
Claas	060 030.2 Z	Total
Claas	0600302Z	Total
Claas	737.600.0	Total

CONTROCOLTELLO LISCIO



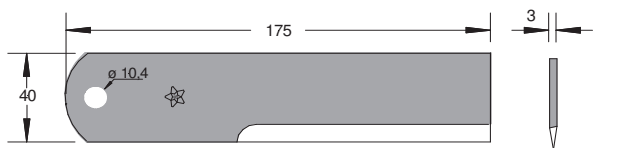
Biso	28.801.402- 0017	Total
Biso	2809/3	
New Holland	80 746 805	Total
Deutz Fahr	0620-4848	Total
J. Deere	Z.59.020	Total
Dronningborg	490 18300	Total

CONTROCOLTELLO DENTATO



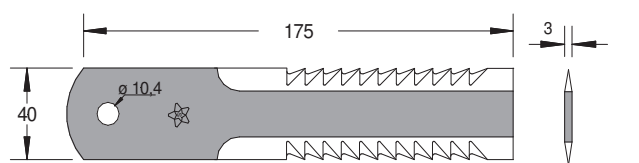
Deutz Fahr	1600-0616	Total
Biso	28.274-024	Total
Biso	28.09/3 Z	
J. Deere	Z.59.033	Total
Laverda	322291650	Total
Laverda	322235550	Total
New Holland	89516450	Total

CCL 40-3-10,4



Rekord	40151	Total
Laverda	320997650	
CNH	1322233C2	
J. Deere	Z75874	

CCS 40-3-10,4



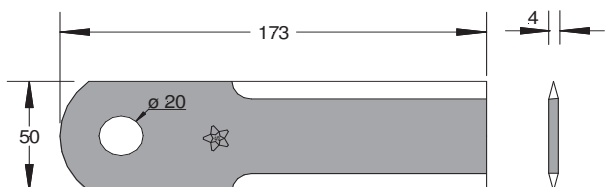
Rekord	40151 Serrated	Total
--------	----------------	-------



TRINCIAPAGLIA - STRAW CHOPPER KNIVES
STROHHACKSLERMESSER - COUTEAUX BROYEUR DE PAILLE
CUCHILLAS CORTAPAJAS - НОЖИ СОЛОМОИЗМЕЛЬЧИТЕЛЯ

Code **Adaptable to:** **HEAT TREATMENT**

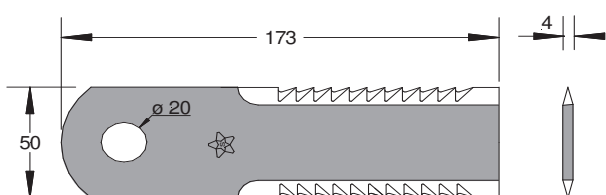
TPML 50-4-20



Claas 736 872.0
 Claas 7368720

Hole + cutting
 Hole + cutting

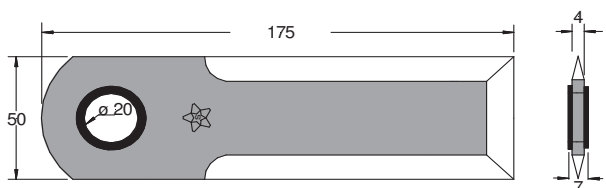
TPMS 50-4-20



Claas 755.784.0
 Claas 7557840

Hole + cutting
 Hole + cutting

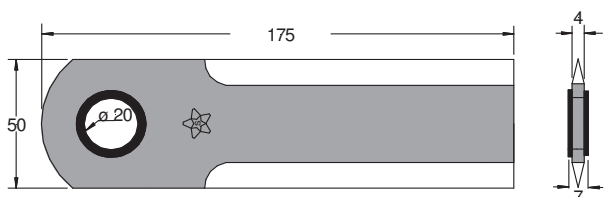
TPML TTL 50-4-20 + BOCCOLA



Claas 755 787.1
 Claas 7557871

Cutting
 Cutting

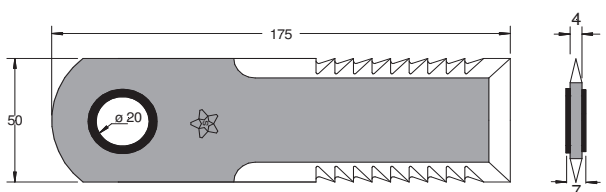
TPML 50-4-20 + BOCCOLA



Claas 755 874.0
 Claas 7558740

Cutting
 Cutting

TPMS TTL 50-4-20 + BOCCOLA



Claas 755.875
 Claas 755875

Cutting
 Cutting



TRINCIAPAGLIA - STRAW CHOPPER KNIVES
STROHHACKSLERMESSER - COUTEAUX BROYEUR DE PAILLE
CUCHILLAS CORTAPAJAS - НОЖИ СОЛОМОИЗМЕЛЬЧИТЕЛЯ

Code HEAT TREATMENT
 Adaptable to:

TPMS 50-5-20

175 5 50 $\varnothing 20$

New Holland 87318316 Total

TPML 50-4,5-20 + BOCCOLA

175 4,5 50 $\varnothing 20$

CNH 1994760 C4 Cutting
 Rekord 44443

TPMS 50-4,5-20 + BOCCOLA

175 4,5 50 $\varnothing 20$

CNH 1994760 C4R Cutting

TPMLS 50-4,5-20 + BOCCOLA

175 4,5 50 $\varnothing 20$

CNH 87593795 Cutting

TPML 50-3-12 L 140

140,50 3 50 $\varnothing 12$

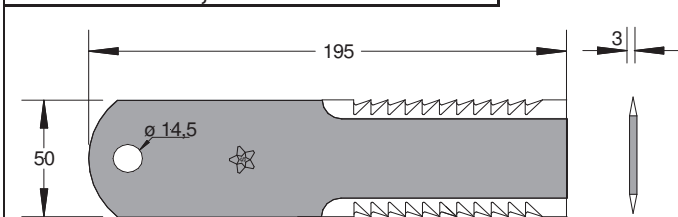
New Holland 87318524 Total
 New Holland 84437640



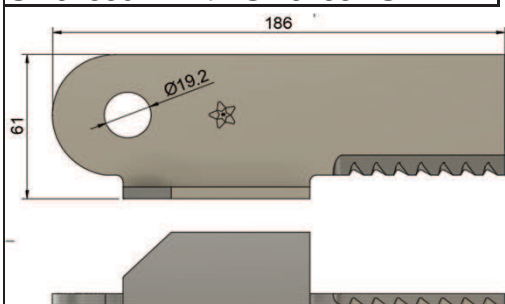
TRINCIAPAGLIA - STRAW CHOPPER KNIVES
STROHNACKSLERMESSER - COUTEAUX BROYEUR DE PAILLE
CUCHILLAS CORTAPAJAS - НОЖИ СОЛОМОИЗМЕЛЬЧИТЕЛЯ

Code Adaptable to: TREATMENT

TPMS 50-3-14,5



ST 9250 DX / ST 9251 SX

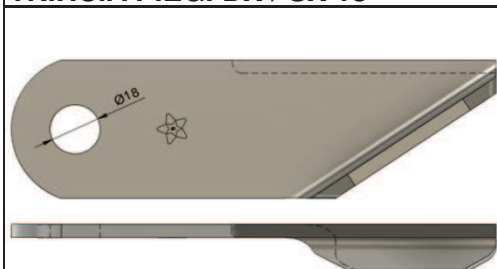


Versione DX



J. Deere	KXE 10363	Kit 4+4	NEW
J. Deere	KXE 10364	Kit 4+4	
J. Deere	KXE 10255	Kit 4+4	
J. Deere	AH 225937	Kit 4+4	
J. Deere	AH 213457	Kit 4+4	(no hardface)
J. Deere	AXE 92550	DX / RH	
J. Deere	AXE 92551	SX / LH	
J. Deere	H 218170	DX / RH	
J. Deere	H 218169	SX / LH	
J. Deere	H212700	DX / RH	(no hardface)
J. Deere	H212699	SX / LH	(no hardface)

TRINCIPIEG. DX / SX 18

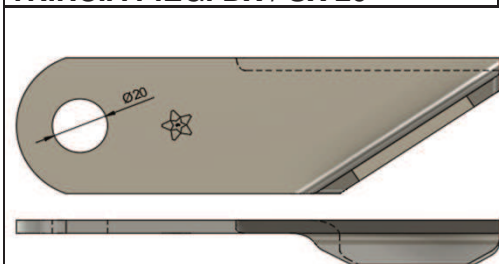


Versione SX



New Holland	87031978	DX / RH	NEW
New Holland	87031976	SX / LH	

TRINCIPIEG. DX / SX 20

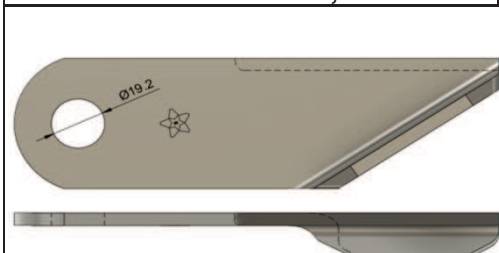


Versione SX



New Holland	87384920	DX / RH	NEW
New Holland	87384918	SX / LH	

TRINCIPIEG. 195 f.19,2 DX/SX



Versione SX



J. Deere	AH 205909	Kit 4+4	NEW
J. Deere	H 203894	DX / RH	
J. Deere	H 203895	SX / LH	



BOCCOLE - BUSHING
BUCHSEN - BAGUES - BUJE - ВТУЛКИ

Code

Adaptable to: Code

Adaptable to:

BCL 3
Bushing for straw chopper knives thk.3 mm

Deutz Fahr 06238559
Biso 28.801.405.0012/3
J.Deere Z35216/3
Claas
New Holland 80746810

BCL 4
Bushing for straw chopper knives thk.4 mm

Deutz Fahr 06546848
Biso 28.801.405.012/4
Biso 28.203.068.000
J.Deere Z51243/4
Claas
New Holland 80746732

BCLI 4,5
Inner bushing for straw chopper thk.4,5 mm

CNH 1994758C2
JHC

BCLI 3
Inner bushing for straw chopper thk.3 mm

Claas 060.016.2

BCLI 4
Inner bushing for straw chopper thk.4 mm

Claas 060.016

BCLE 3-4
Outer bushing for straw chopper thk. 3-4 mm

Claas 060.015

DIST 4
Spacer

Deutz Fahr 06546849
Biso 28.801.405.0013
Claas 736 870.1
J.Deere Z 66313
J.Deere Z 35217

BCL 5 f.18
Bushing for straw chopper knives thk.5 mm

New Holland 84437622

BCL 5 f.20
Bushing for straw chopper knives thk.5 mm

New Holland 87378123



BUSSOLE - BUSHING
BUCHSEN - BAGUES - BUJE - ВТУЛКИ

Code

Adaptable to:

Code

Adaptable to:

--	--

--	--

--	--

--	--

--	--

--	--

--	--

--	--

--	--

--	--



KNIVES FOR MAIZE SNAPPING ROLL KNIFE

www.stellalame.com



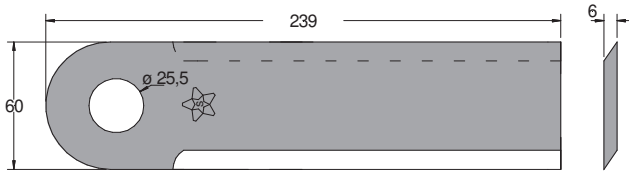
**TRINCIASTOCCHI / TRINCIA MAIS - KNIVES FOR MAIZE
SCHELEGELMESSER FÜR MAIS - COUTEAUX POUR LE MAIS
CUCHILLAS PARA MAIS - НОЖИ КУКУРУЗНОЙ ЖАТКИ**

**HEAT
TREATMENT**

Code

Adaptable to:

TRINCIA 239

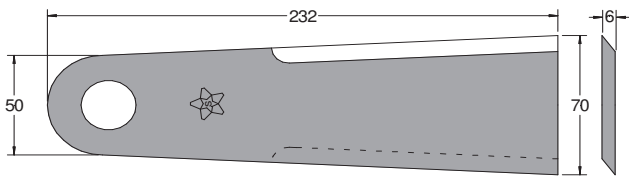


Capello

mod. Diamante

Total

TRINCIA 232

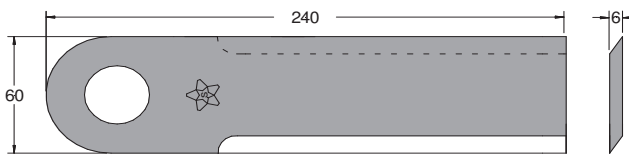


Capello

03202103

Total

TRINCIA 240

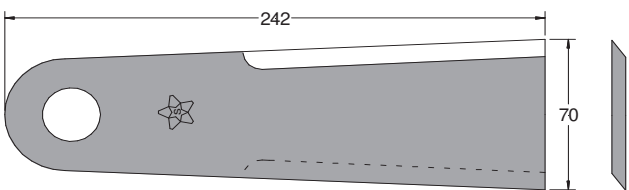


Capello

03202100 mod. Quasar

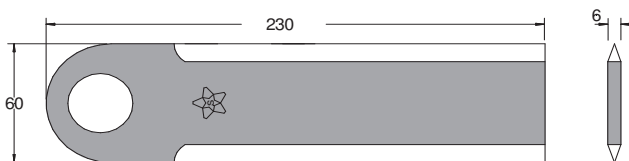
Total

TRINCIA 242



Capello

TRINCIA 230



Totale

Total



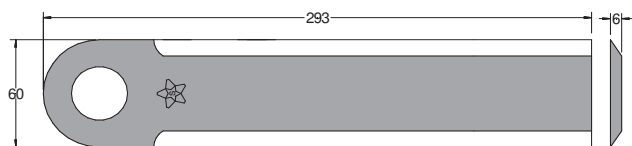
**TRINCIASTOCCHI / TRINCIA MAIS - KNIVES FOR MAIZE
SCHELEGELMESSER FÜR MAIS - COUTEAUX POUR LE MAIS
CUCHILLAS PARA MAIS - НОЖИ КУКУРУЗНОЙ ЖАТКИ**

**HEAT
TREATMENT**

Code

Adaptable to:

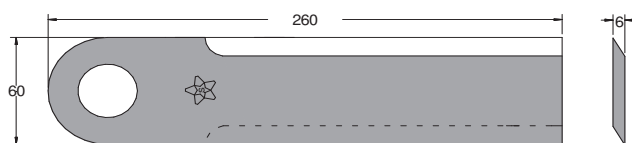
TRINCIA 293



Fantini

Total

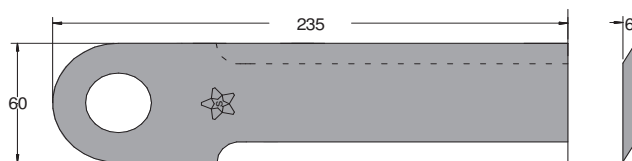
TRINCIA 260



Fantini

13739

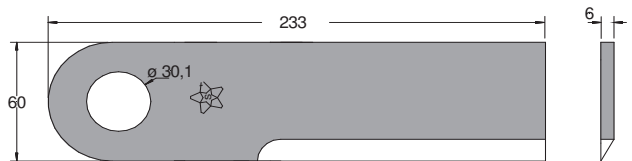
TRINCIA 235



Fantini

21917

TRINCIA 233

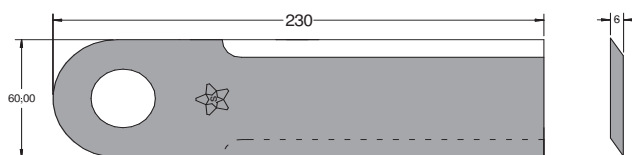


Laverda
New Holland

322593450

Total

TRINCIA 230 CASE



Case / NH
Case / NH
New Holland

84976065
84976064
84340041

Total
Total
Total



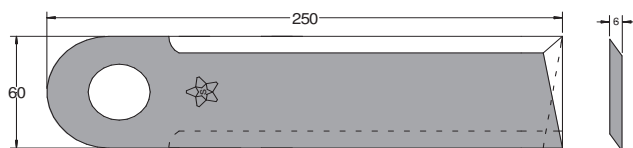
**TRINCIASTOCCHI / TRINCIA MAIS - KNIVES FOR MAIZE
SCHELEGELMESSER FÜR MAIS - COUTEAUX POUR LE MAIS
CUCHILLAS PARA MAIS - НОЖИ КУКУРУЗНОЙ ЖАТКИ**

**HEAT
TREATMENT**

Code

Adaptable to:

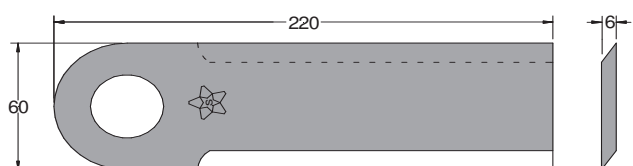
TRINCIA 250 CLAAS



Claas	998683.0
Claas	994233.0

Total

TRINCIA 220



Oros	1310741
Oros	1.310.741

Total

Total

OTHER MODELS

Geringhoff	502692 - 502675
Geringhoff	502840 - 502841
Geringhoff	506035 - 506282

Fantini	13739
---------	-------

Oros	1319929
Oros	11-045258

Olimac	DR12300
--------	---------

DBF	271060030
-----	-----------

Kemper	LCA 86215 - 8145
--------	------------------



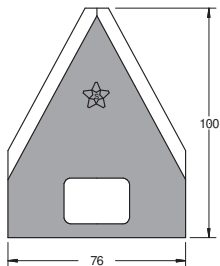
**TRINCIASTOCCHI / TRINCIA MAIS - KNIVES FOR MAIZE
SCHELEGELMESSER FÜR MAIS - COUTEAUX POUR LE MAIS
CUCHILLAS PARA MAIS - НОЖИ КУКУРУЗНОЙ ЖАТКИ**

**HEAT
TREATMENT**

Code

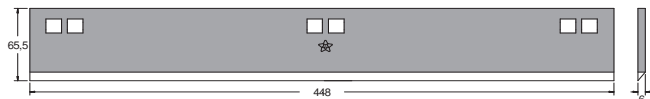
Adaptable to:

SCK 87106692



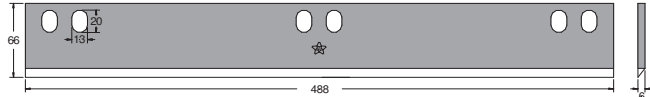
CNH 87106692 Totale Total

LTM 448-65-6



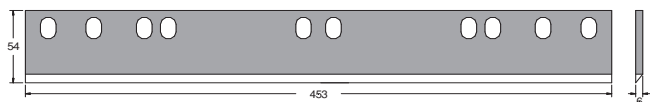
New Holland 322426950

LTM 488-66-6



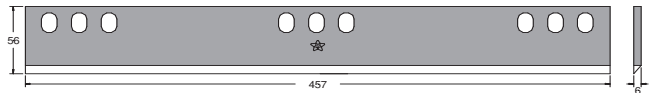
CNH 322591950
Laverda 322591950
New Holland 84433810
New Holland 86628054
New Holland 84976542

LTM 543-54-6



New Holland 80457477

LTM 457-56-6



CNH 1327126C1

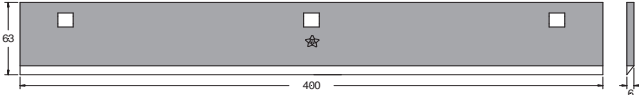


**TRINCIASTOCCHI / TRINCIA MAIS - KNIVES FOR MAIZE
SCHELEGELMESSER FÜR MAIS - COUTEAUX POUR LE MAIS
CUCHILLAS PARA MAIS - НОЖИ КУКУРУЗНОЙ ЖАТКИ**

**HEAT
TREATMENT**

Code

Adaptable to:

LTM 400-63-6	
	Capello 03.4100.00 - 03410000

LTM 530-60-6	
	Fantini 12133

OTHER MODELS	
	Geringhoff 502350 - 502356 (DX) Geringhoff 502351 - 502357 (SX)
	Capello 03.2019.00 (Mod. Quasar)
	Fantini 03950 Fantini 4099
	Olimac DR11030
	Oros 11-060584 Oros 19-045060



CHOPPER KNIVES SUGAR CANE

www.stellalame.com



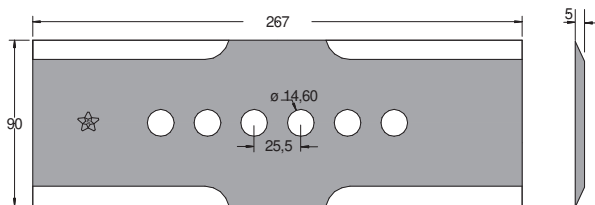
COLTELLI PER CANNA DA ZUCCHERO
CHOPPER KNIVES SUGAR CANE - COUTEAUX POUR LA CANNE À SUCRE
MESSER FÜR ZUCKERROHR
CUCHILLAS DE CAÑA DE AZÚCAR - LÂMINAS DE CANA DE AÇÚCAR
НОЖИ МАШИНЫ ДЛЯ УБОРКИ САХАРНОГО ТРОСТНИКА

**HEAT
TREATMENT**

Code:

Adaptable to:

BCB 267-90-5



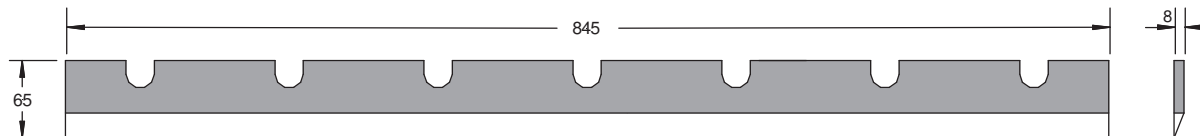
Case 448928A1

Specific

Other models on demand

Coltello per canna da zucchero / Base cutter blades / Chopper knife sugar cane harvester / Chucillas de caña de azucar

CB 845-8



Case 47430491 (replace 87214899)

Specific

Case 87214899 (h.65)

Specific

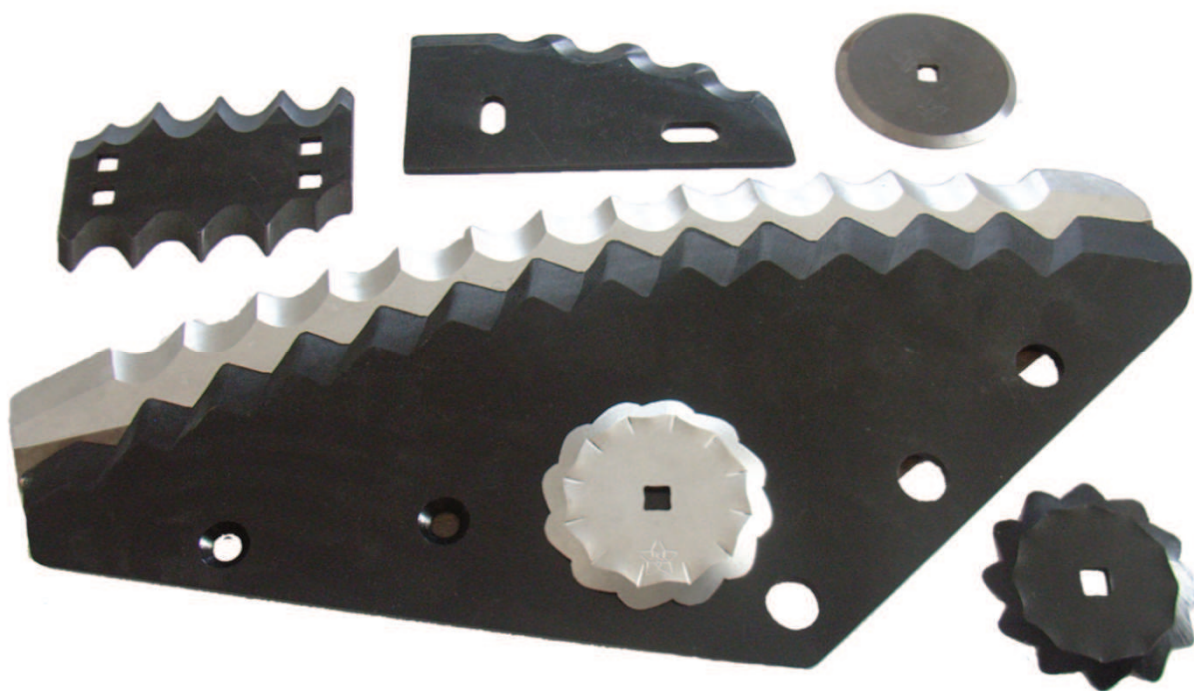
J. Deere 243005174 (h.95)

Specific



KNIVES FOR SHREDDER / FEED MIXER

www.stellalame.com



LAME PER CARRI DESILATORI - KNIVES FOR SHREDDER MIXER
KLINGEN FÜR SILOSENLADER - LAMES POUR EXTRACTEUR MELANGEURS
CUCHILLAS DESMENUZADORAS PARA CARROS MEZCLADORES
НОЖИ ДЛЯ МИКСЕРОВ-КОРМОРАЗДАТЧИКОВ

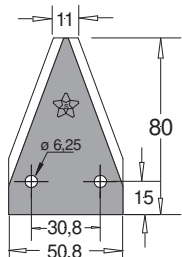
Code

Adaptable to:

Code

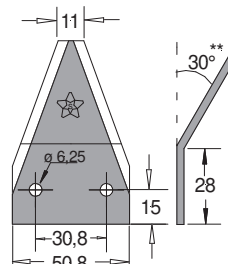
Adaptable to:

D2001 L f.6,25



Regular
 Thickness 2,5
 Mutti
 Storti 1680008
 Luclar
 Feraboli
 DeLaval
 Other brands

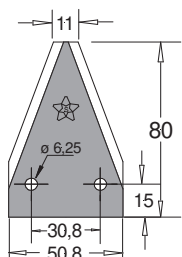
D2001 L f.6,25 P



** The type of the folding can be modified on application.

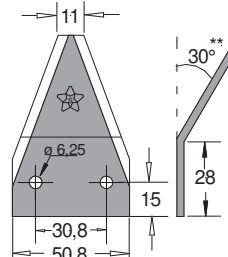
Regular
 Thickness 2,5
 Mutti
 DeLaval
 Other brands

D2001 L x 3 f.6,25



Regular
 Thickness 3
 Sgariboldi
 Luclar
 Other brands

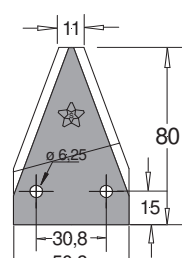
D2001 L x 3 f.6,25 P



** The type of the folding can be modified on application.

Regular
 Thickness 3
 Luclar
 Other brands

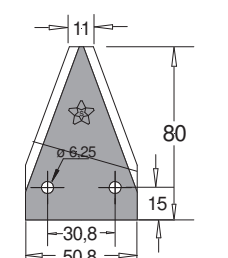
D2001 L x 3 f.6,25 DX



** The type of the folding can be modified on application.

Regular
 Thickness 3
 Various brands

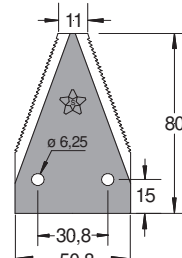
D2001 L x 3 f.6,25 SX



** The type of the folding can be modified on application.

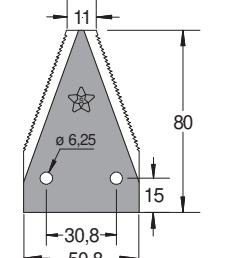
Regular
 Thickness 3
 Various brands

D2001 S f.6,25



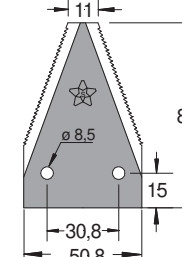
Under serrated
 Thickness 2,5
 Various brands

D2001 S x 3 f.6,25



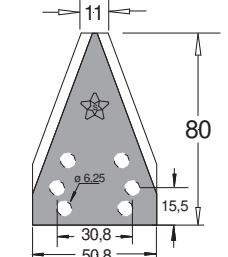
Under serrated
 Thickness 3
 Various brands

D2001 S x 3 f.8,5



Under serrated
 Thickness 3
 Various brands

D2001 L 6 fori



Regular
 Thickness 2,5
 DeLaval 94832801
 Storti 1680002600



LAME PER CARRI DESILATORI - KNIVES FOR SHREDDER MIXER
KLINGEN FÜR SILOSENLADER - LAMES POUR EXTRACTEUR MELANGEURS
CUCHILLAS DESMENUZADORAS PARA CARROS MEZCLADORES
НОЖИ ДЛЯ МИКСЕРОВ-КОРМОРАЗДАТЧИКОВ

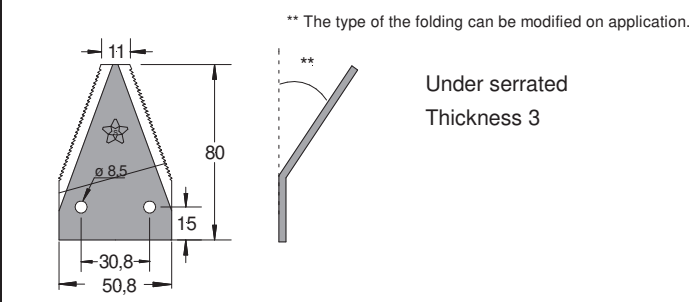
Code

Adaptable to:

Code

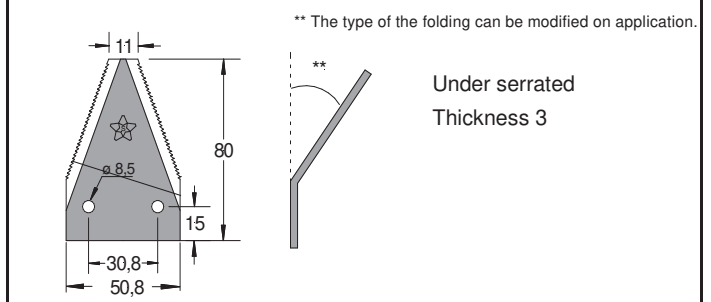
Adaptable to:

D2001 S x 3 f.8,5 DX



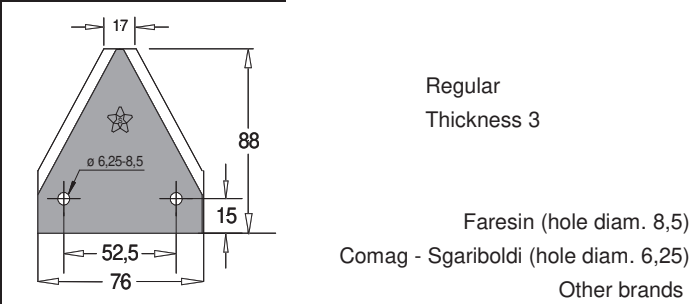
Under serrated
Thickness 3

D2001 S x 3 f.8,5 SX



Under serrated
Thickness 3

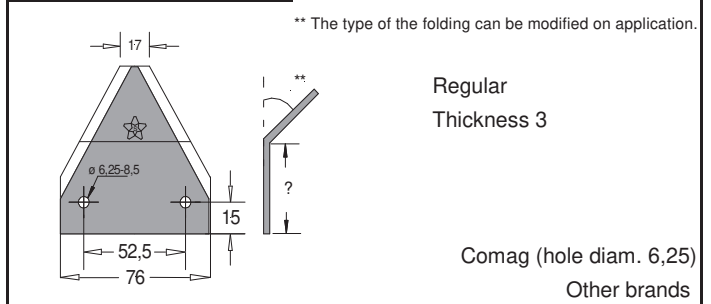
89x3 L



Regular
Thickness 3

Faresin (hole diam. 8,5)
Comag - Sgariboldi (hole diam. 6,25)
Other brands

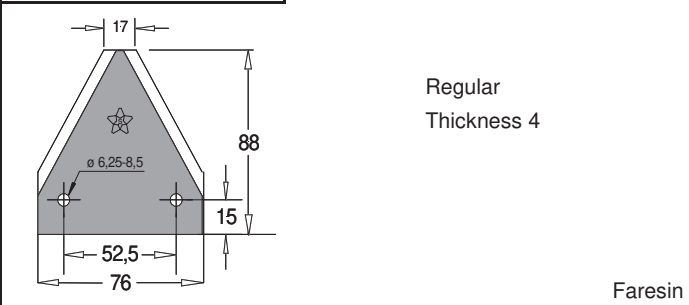
89x3 L P



Regular
Thickness 3

Comag (hole diam. 6,25)
Other brands

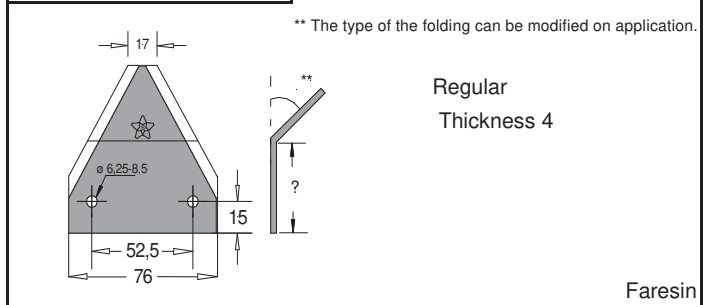
89x4 L



Regular
Thickness 4

Faresin

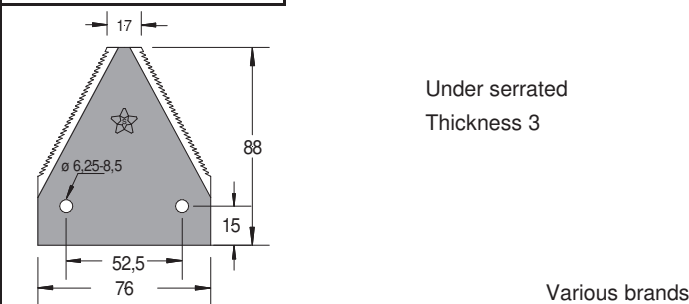
89x4 L P



Regular
Thickness 4

Faresin

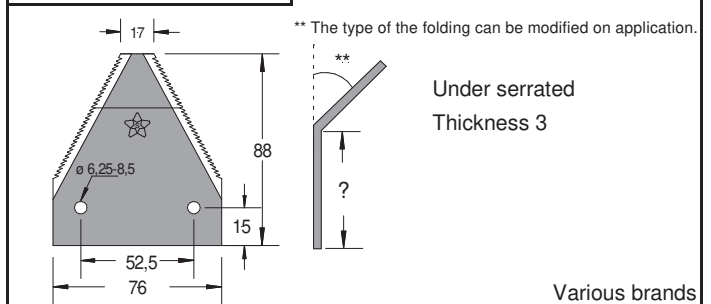
89x3 S



Under serrated
Thickness 3

Various brands

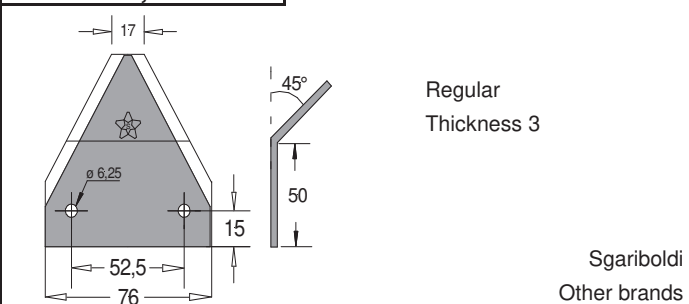
89x3 S P



Under serrated
Thickness 3

Various brands

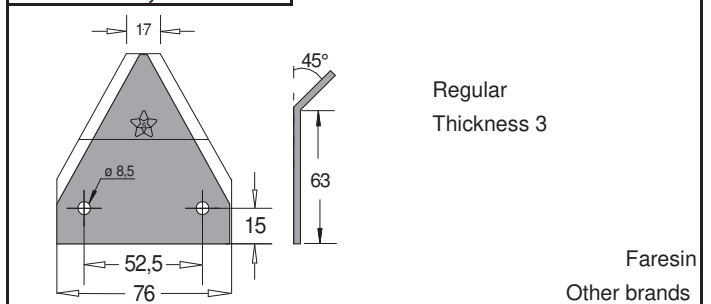
89x3 L f.6,25 P



Regular
Thickness 3

Sgariboldi
Other brands

89x3 L f.8,5 P



Regular
Thickness 3

Faresin
Other brands



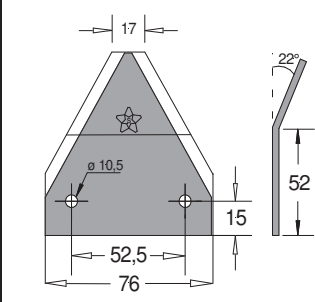
LAME PER CARRI DESILATORI - KNIVES FOR SHREDDER MIXER
KLINGEN FÜR SILOSENLADER - LAMES POUR EXTRACTEUR MELANGEURS
CUCHILLAS DESMENUZADORAS PARA CARROS MEZCLADORES
НОЖИ ДЛЯ МИКСЕРОВ-КОРМОРАЗДАТЧИКОВ

Code

Adaptable to: Code

Adaptable to:

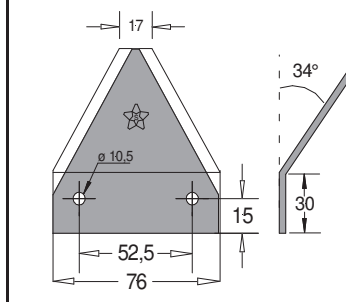
89x3 L f.10,5 P 22



Regular
Thickness 3

Various brands

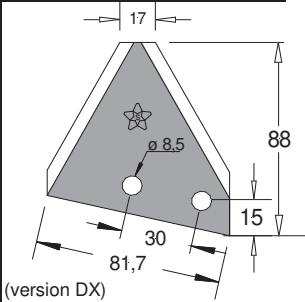
89x3 L f.10,5 P 34



Regular
Thickness 3

Various brands

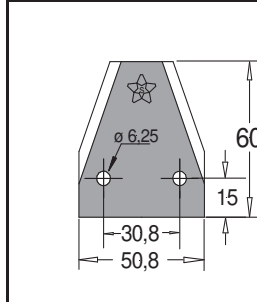
89x3 L Dx - Sx



Regular
Thickness 3 / 4

AGM
Unifast

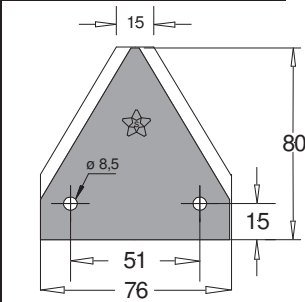
D2001L FUX



Regular
Thickness 2,5

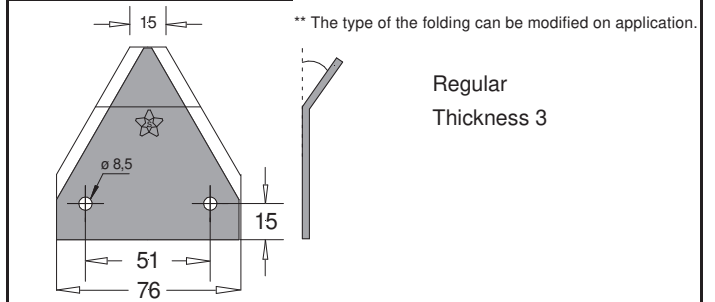
AGM

212x3 L f.8,5



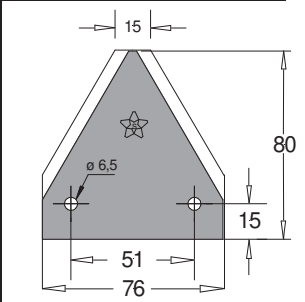
Regular
Thickness 3

212x3 L f.8,5 pieg.



Regular
Thickness 3

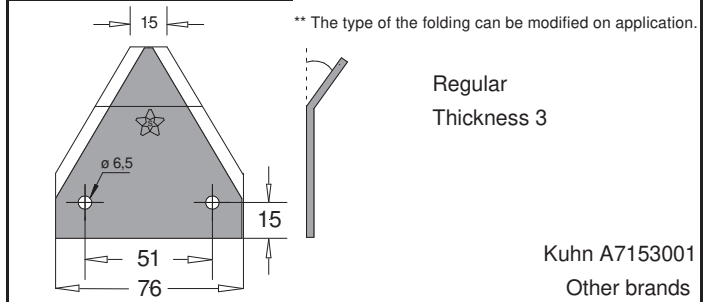
212x3 L f.6,5



Regular
Thickness 3

Kuhn A7153002
Other brands

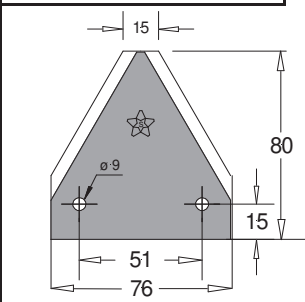
212x3 L f.6,5 pieg.



Regular
Thickness 3

Kuhn A7153001
Other brands

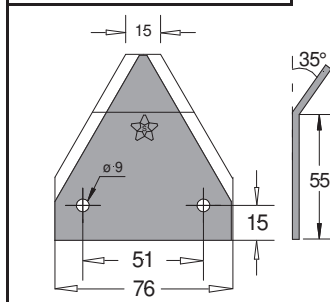
363



Regular
Thickness 3

Marmix

362



Regular
Thickness 3

Marmix



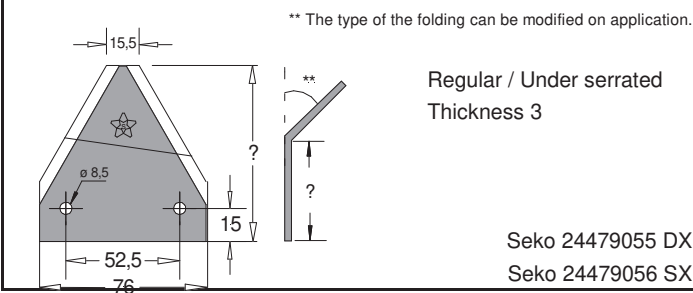
LAME PER CARRI DESILATORI - KNIVES FOR SHREDDER MIXER
KLINGEN FÜR SILOSENLADER - LAMES POUR EXTRACTEUR MELANGEURS
CUCHILLAS DESMENUZADORAS PARA CARROS MEZCLADORES
НОЖИ ДЛЯ МИКСЕРОВ-КОРМОРАЗДАТЧИКОВ

Code

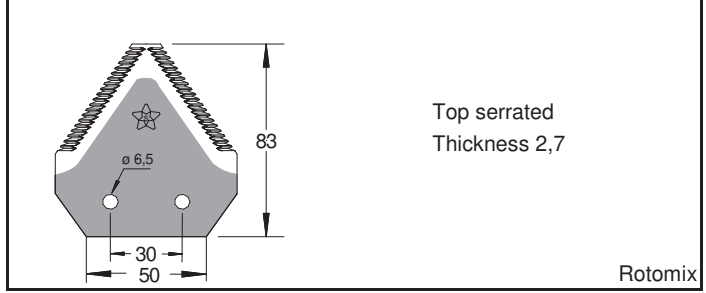
Adaptable to: Code

Adaptable to:

242 P dx - sx



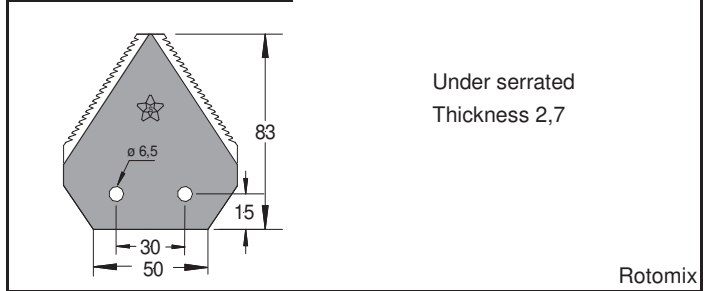
ROTOMIX SR



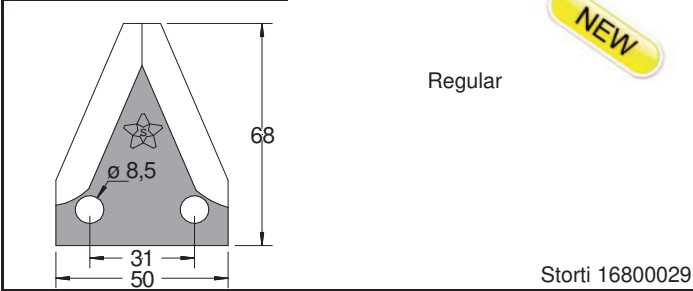
ST 3001



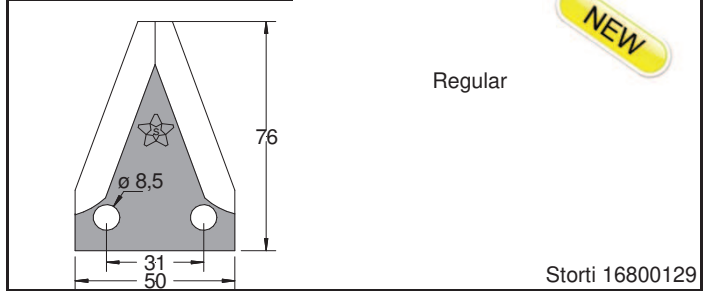
ROTOMIX SR



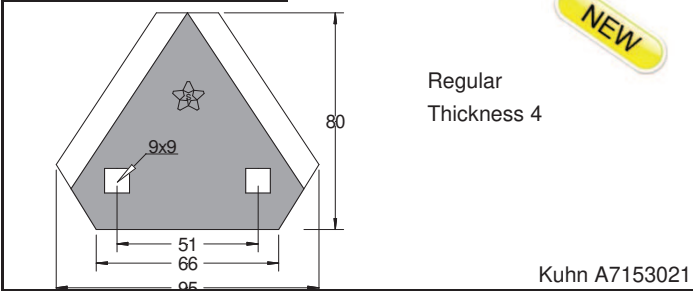
ST 0029



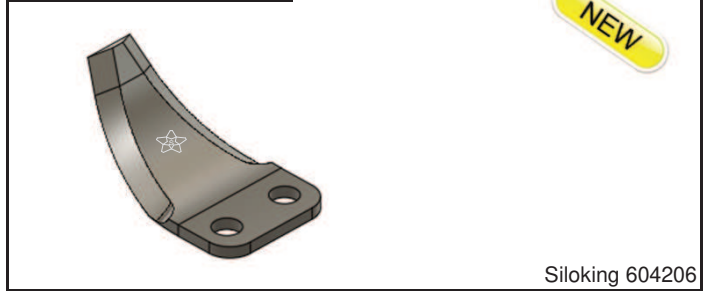
ST 0129



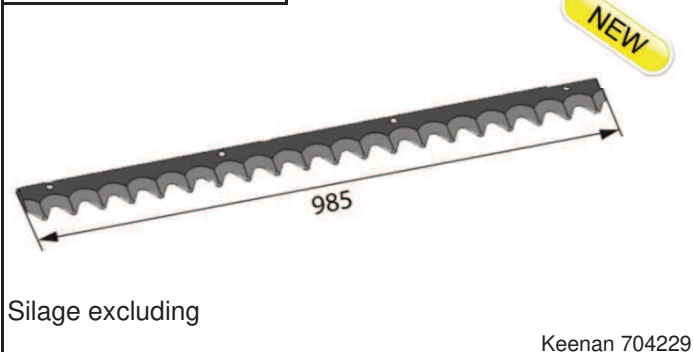
ST 7153021



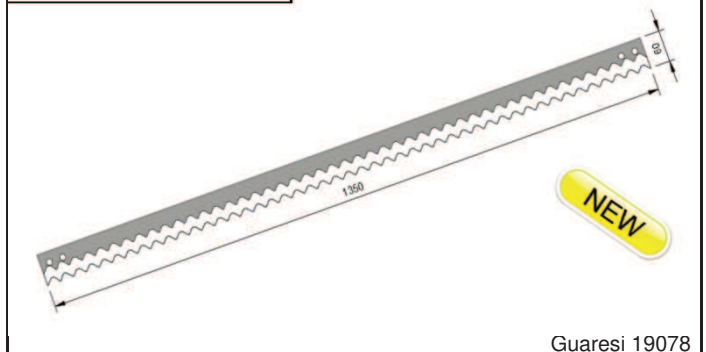
ST604206 P60° TN



ST 704229



ST 1350 TN



LAME PER CARRI DESILATORI - KNIVES FOR SHREDDER MIXER
KLINGEN FÜR SILOSENLADER - LAMES POUR EXTRACTEUR MELANGEURS
CUCHILLAS DESMENUZADORAS PARA CARROS MEZCLADORES
НОЖИ ДЛЯ МИКСЕРОВ-КОРМОРАЗДАТЧИКОВ

Code

Adaptable to:

Code

Adaptable to:

DISCO 95



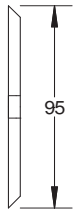
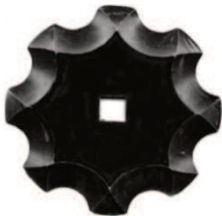
Thickness 5
 Hole 11 x 11 Sgariboldi
 Himel 3001689
 Pagliari - Marmix
 Luclar - Eurocomp
 Supertino - Tatoma
 Storti 1680020
 Frasto 16800020 - Walker
 DeLaval 94832401

DISCO DENTATO 95



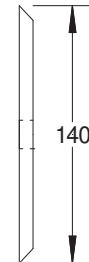
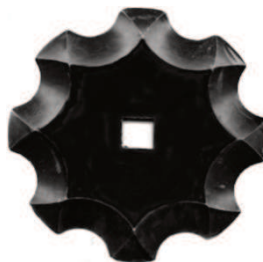
Thickness 5
 Hole 11 x 11
 Himel
 Tatoma
 Storti 16800014
 Frasto 16800014 - Walker
 Kverneland

DISCO DENTATO SK



Thickness 5
 Hole 11 x 11

DISCO DENTATO SK - diam.140



Thickness 8
 Hole 16,5 x 16,5

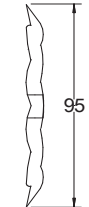
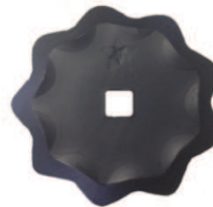
COLTELLO OVALE DENTATO



Thickness 5

Storti 16800139

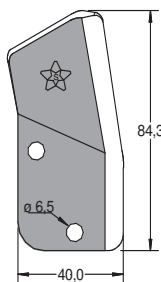
DISCO MARGHERITA diam. 95



Thickness 5
 Hole 11 x 11

Various brands

ALETTA DX-SX

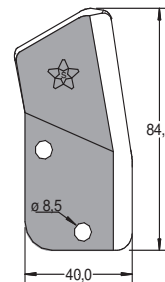


Thickness 3
 Hole Ø 6,5

(version SX)

Storti 16800012-13

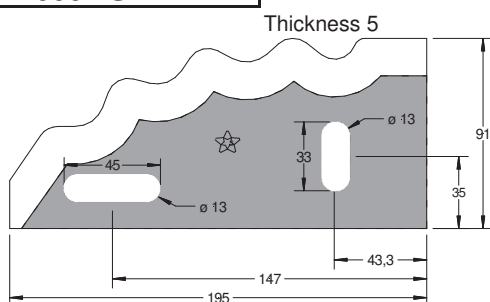
ALETTA DX-SX



Thickness 4
 Hole Ø 8,5

(version SX)

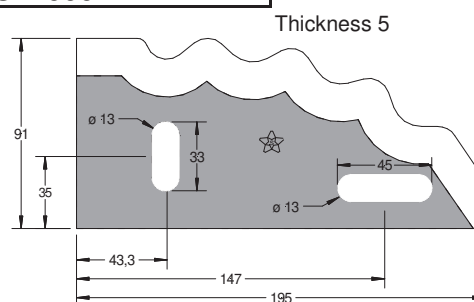
CM 0001 SX



Thickness 5

Peecon
 Himel
 Luclar
 Giglioli
 Frasto
 Pagliari

CM 0001 DX



Thickness 5

Peecon
 Himel
 Luclar
 Giglioli
 Frasto
 Pagliari



LAME PER CARRI DESILATORI - KNIVES FOR SHREDDER MIXER
KLINGEN FÜR SILOSENLADER - LAMES POUR EXTRACTEUR MELANGEURS
CUCHILLAS DESMENUZADORAS PARA CARROS MEZCLADORES
НОЖИ ДЛЯ МИКСЕРОВ-КОРМОРАЗДАТЧИКОВ

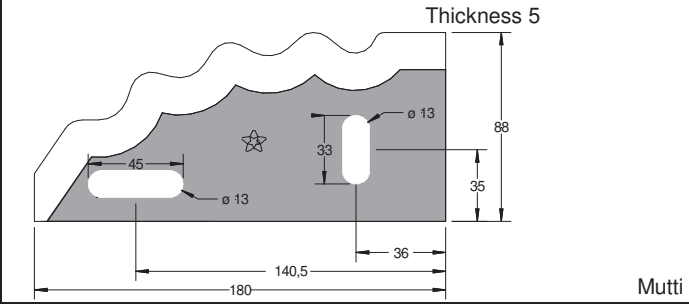
Code

Adaptable to:

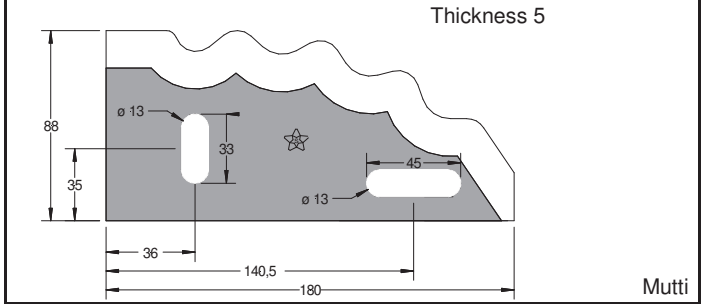
Code

Adaptable to:

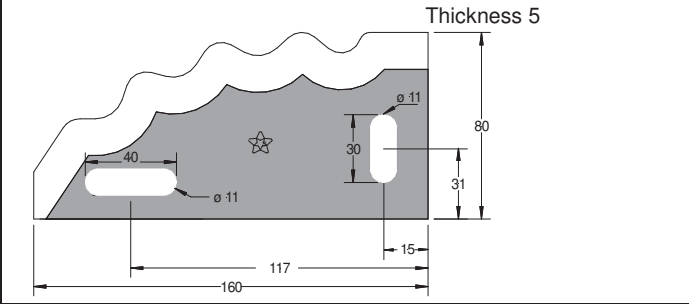
CM 0001 / L 180 SX



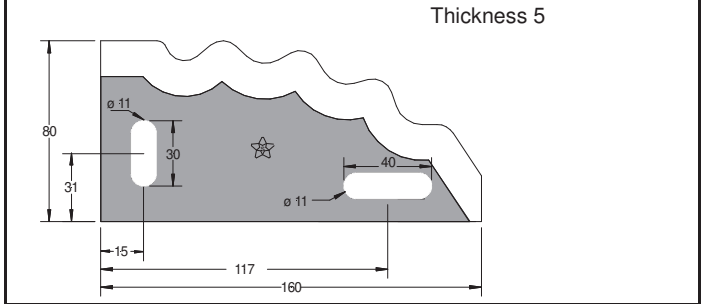
CM 0001 / L 180 DX



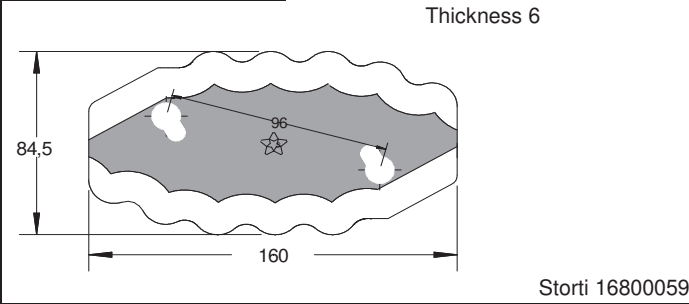
CM 0003 SX



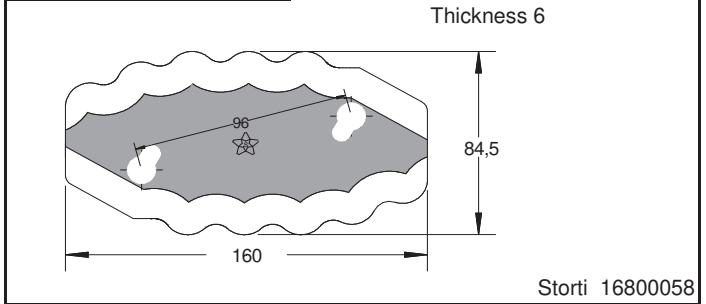
CM 0003 DX



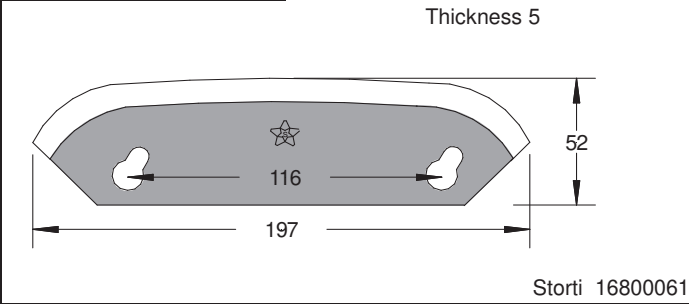
CM 0006 SX



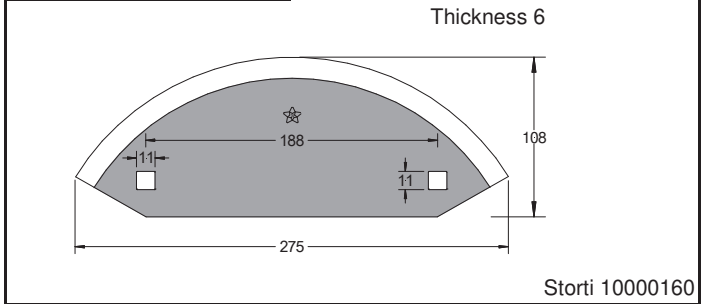
CM 0006 DX



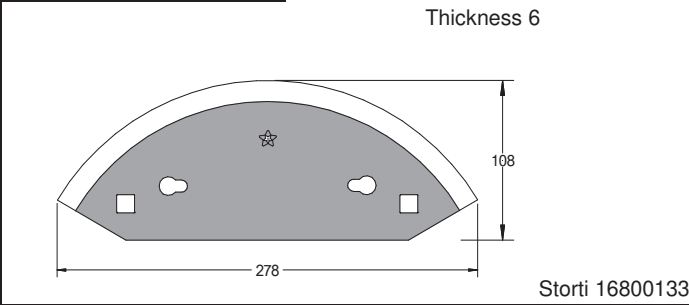
ST 0061



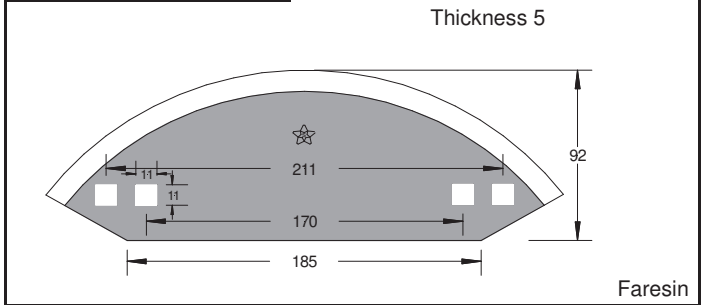
ST 00160



ST 00133



CMF 20



LAME PER CARRI DESILATORI - KNIVES FOR SHREDDER MIXER
KLINGEN FÜR SILOSENLADER - LAMES POUR EXTRACTEUR MELANGEURS
CUCHILLAS DESMENUZADORAS PARA CARROS MEZCLADORES
НОЖИ ДЛЯ МИКСЕРОВ-КОРМОРАЗДАТЧИКОВ

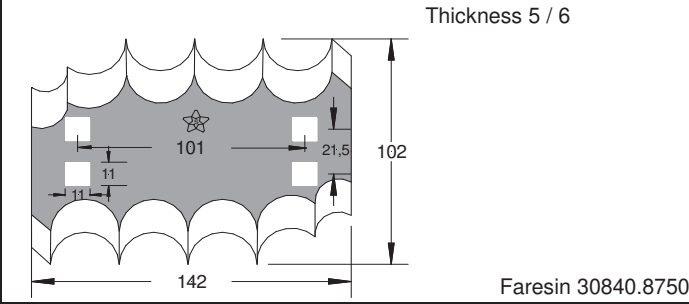
Code

Adaptable to:

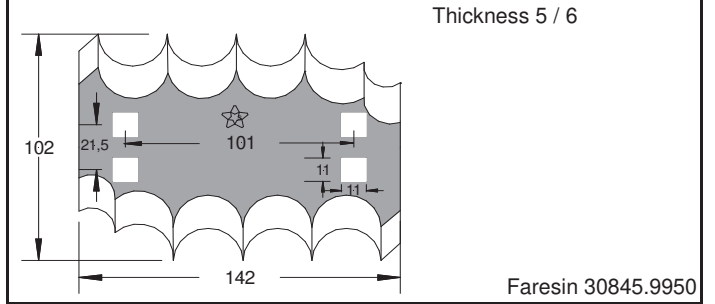
Code

Adaptable to:

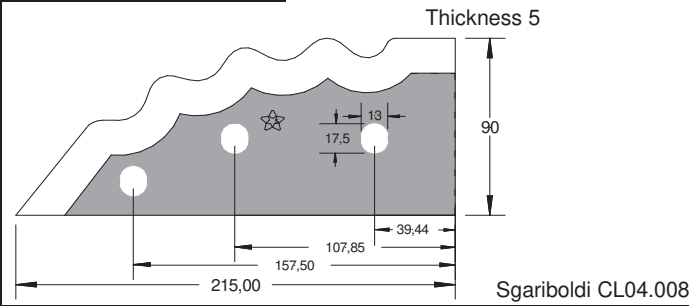
CMF 0021 SX



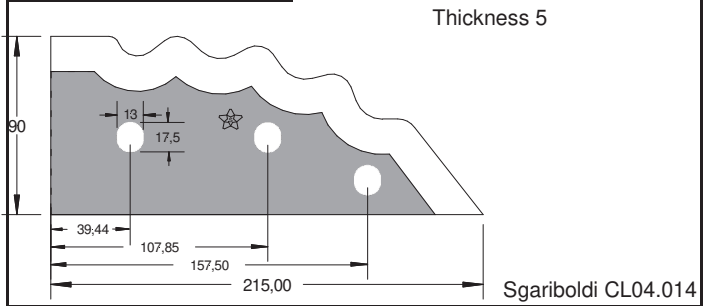
CMF 0021 DX



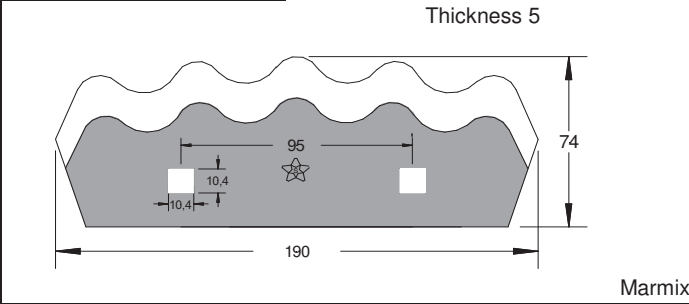
CMS 0005 SX



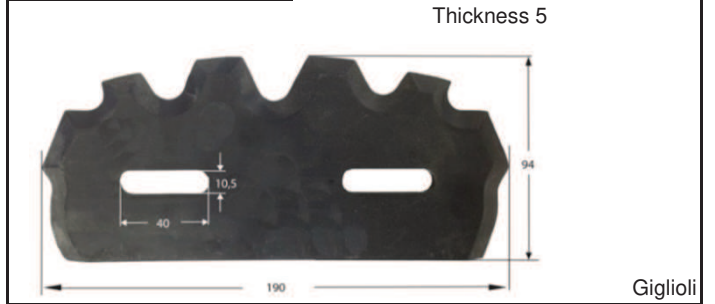
CMS 0005 DX



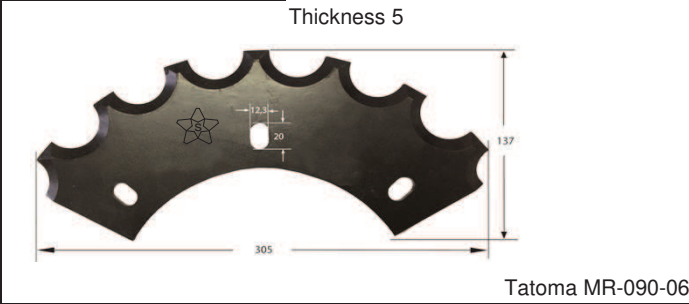
CM 0002



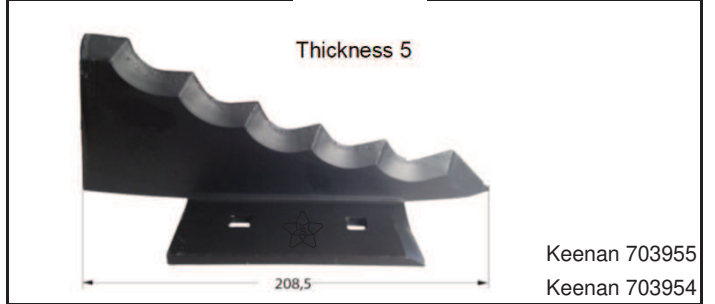
CM 0008



CM 0009 T

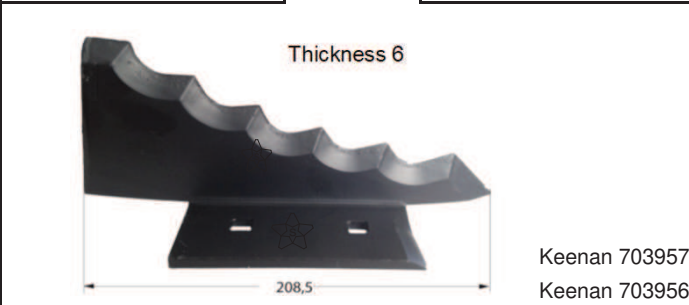


ST 703954 SX



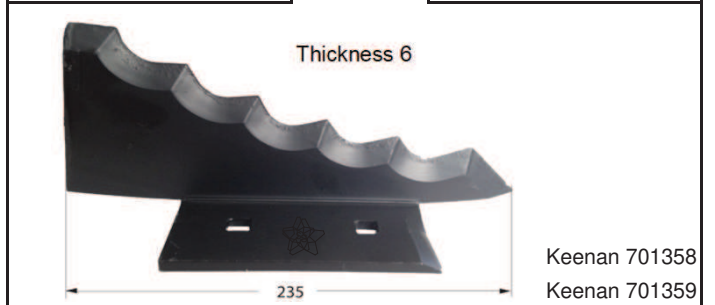
ST 703955 DX

ST 703956 SX



ST 703957 DX

ST 701359 SX



ST 701358 DX



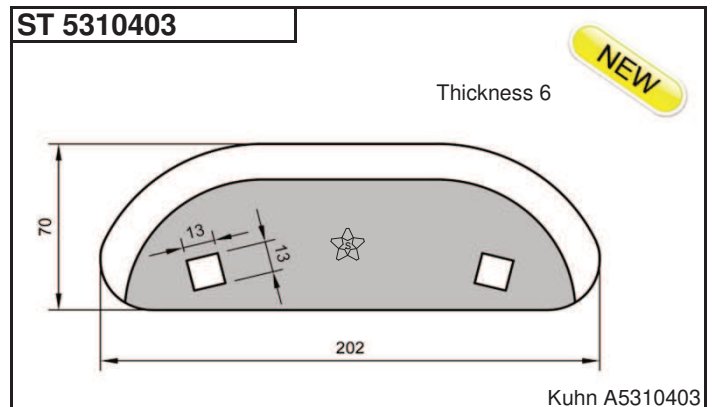
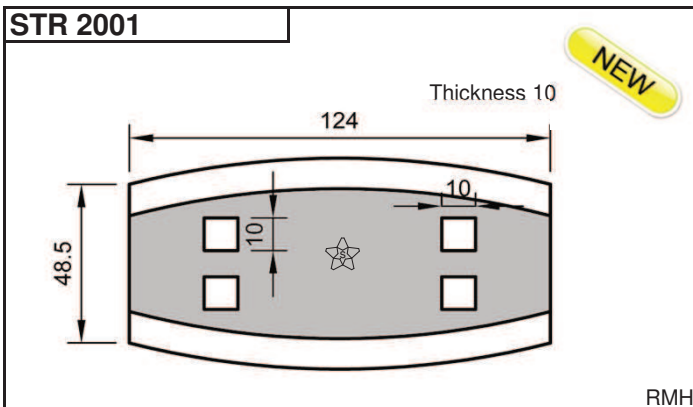
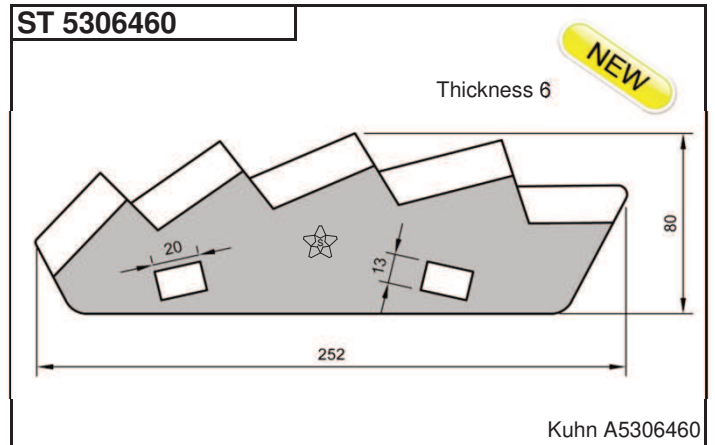
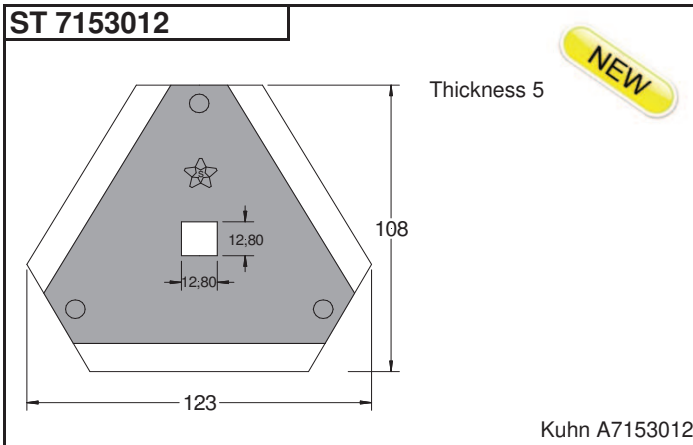
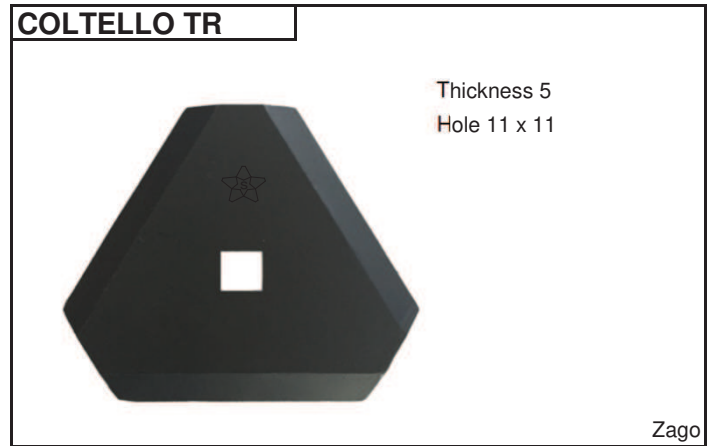
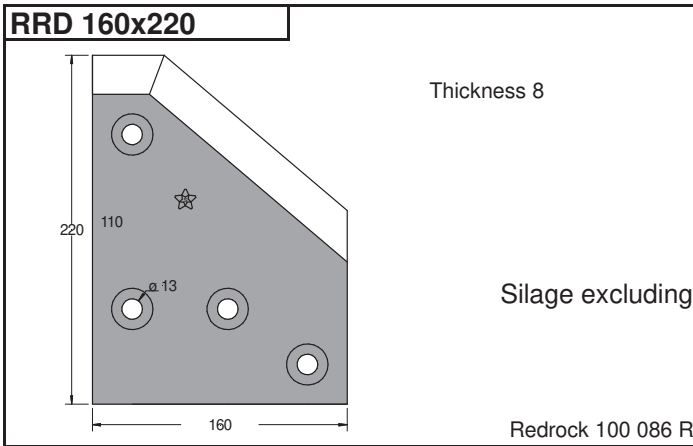
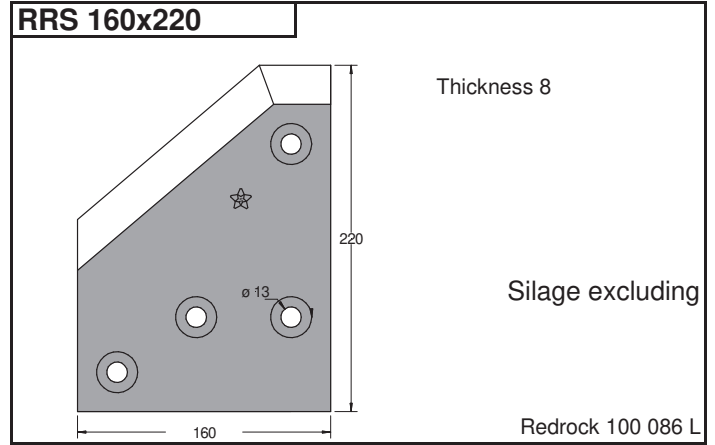
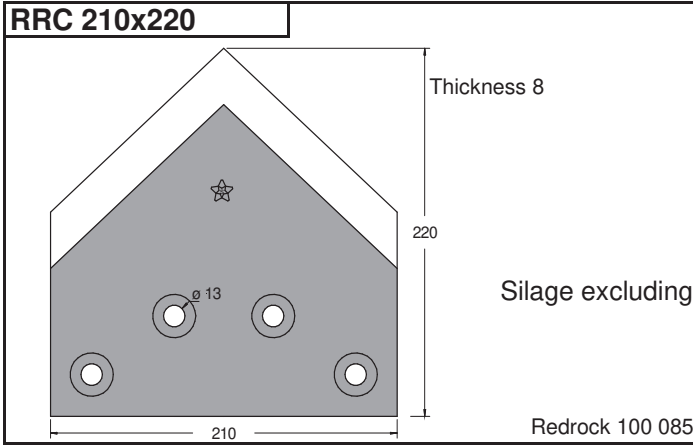
LAME PER CARRI DESILATORI - KNIVES FOR SHREDDER MIXER
KLINGEN FÜR SILOSENLADER - LAMES POUR EXTRACTEUR MELANGEURS
CUCHILLAS DESMENUZADORAS PARA CARROS MEZCLADORES
НОЖИ ДЛЯ МИКСЕРОВ-КОРМОРАЗДАТЧИКОВ

Code

Adaptable to:

Code

Adaptable to:



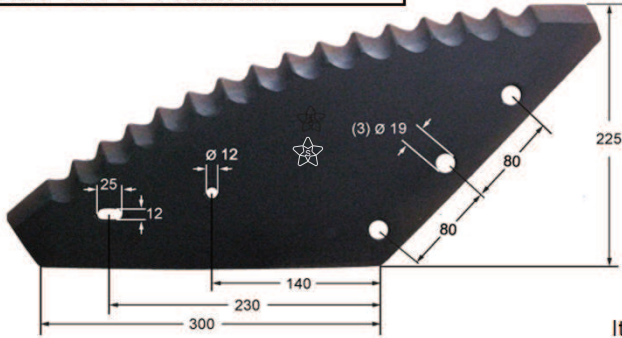
LAME PER CARRI DESILATORI - KNIVES FOR SHREDDER MIXER
KLINGEN FÜR SILOSENLADER - LAMES POUR EXTRACTEUR MELANGEURS
CUCHILLAS DESMENUZADORAS PARA CARROS MEZCLADORES
НОЖИ ДЛЯ МИКСЕРОВ-КОРМОРАЗДАТЧИКОВ

Code

Adaptable to: Code

Adaptable to:

CMV 0004 - Platinum

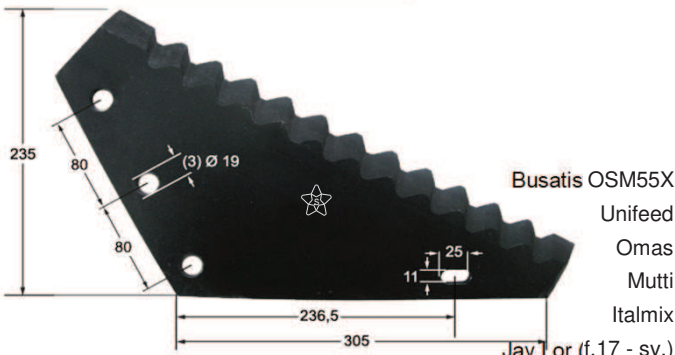


AGM
Italmix

Available also with chrome covering

Other brands

CMV 0007 SX - Standard

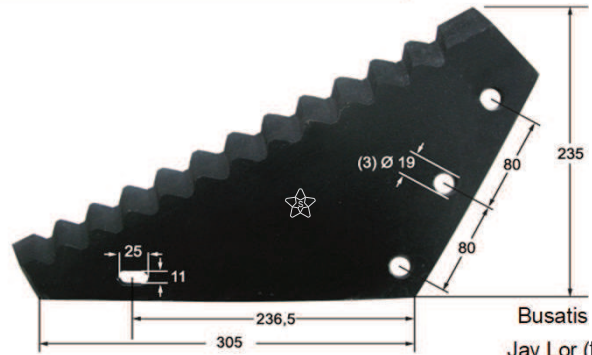


Busatis OSM55X
Unifeed
Omas
Mutti
Italmix

Available also with tungsten covering

Jay Lor (f.17 - sv.)
Supreme (f.17 - sv.)

CMV 0007 DX - Standard

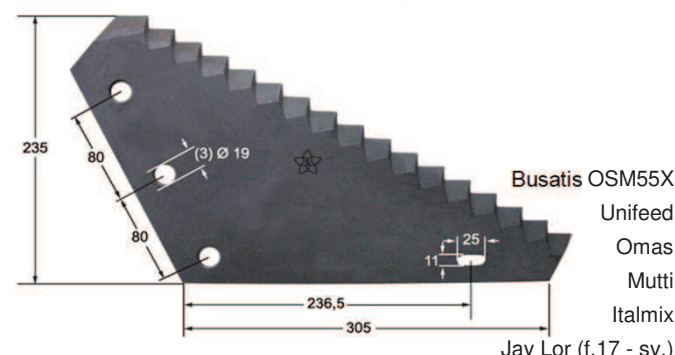


Unifeed
Omas
Mutti
Italmix

Available also with tungsten covering

Busatis OSM20X
Jay Lor (f.17 - sv.)
Supreme (f.17 - sv.)

CMV 0007 SX - Platinum

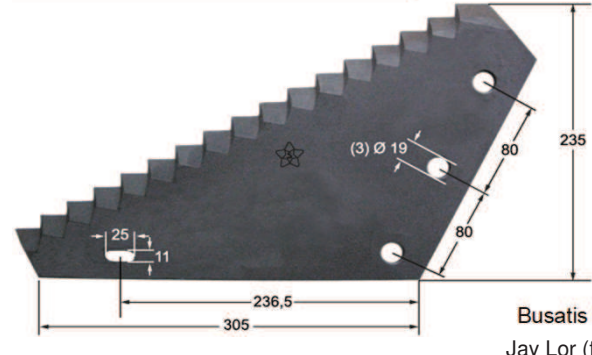


Busatis OSM55X
Unifeed
Omas
Mutti
Italmix

Available also with chrome / tungsten covering

Jay Lor (f.17 - sv.)
Supreme (f.17 - sv.)

CMV 0007 DX - Platinum

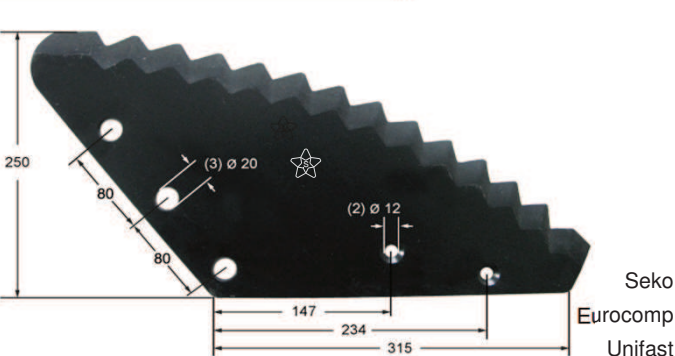


Unifeed
Omas
Mutti
Italmix

Available also with chrome / tungsten covering

Busatis OSM20X
Jay Lor (f.17 - sv.)
Supreme (f.17 - sv.)

CMV 0009 SX - Standard

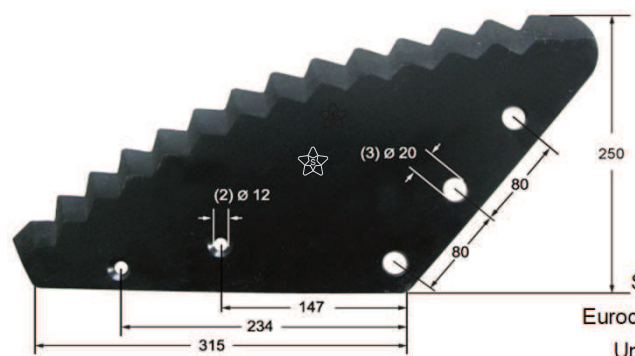


Seko
Eurocomp
Unifast

Available also with tungsten covering

AGM

CMV 0009 DX - Standard



Seko
Eurocomp
Unifast

Available also with tungsten covering

AGM



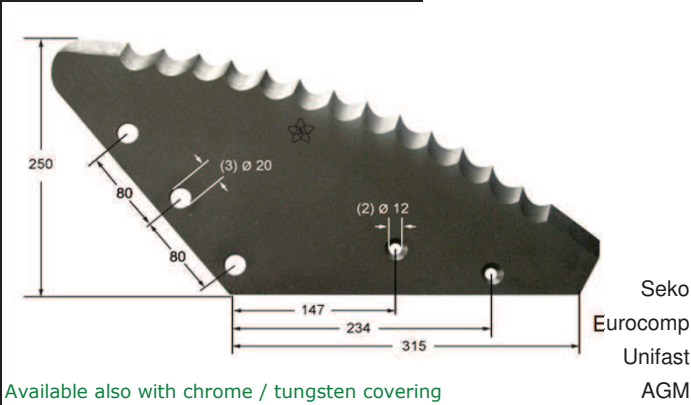
LAME PER CARRI DESILATORI - KNIVES FOR SHREDDER MIXER
KLINGEN FÜR SILOSENLADER - LAMES POUR EXTRACTEUR MELANGEURS
CUCHILLAS DESMENUZADORAS PARA CARROS MEZCLADORES
НОЖИ ДЛЯ МИКСЕРОВ-КОРМОРАЗДАТЧИКОВ

Code

Adaptable to: Code

Adaptable to:

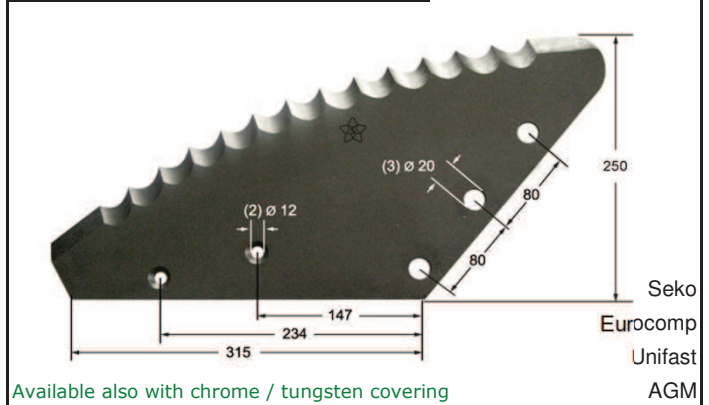
CMV 0009 SX - Platinum



Seko
Eurocomp
Unifast
AGM

Available also with chrome / tungsten covering

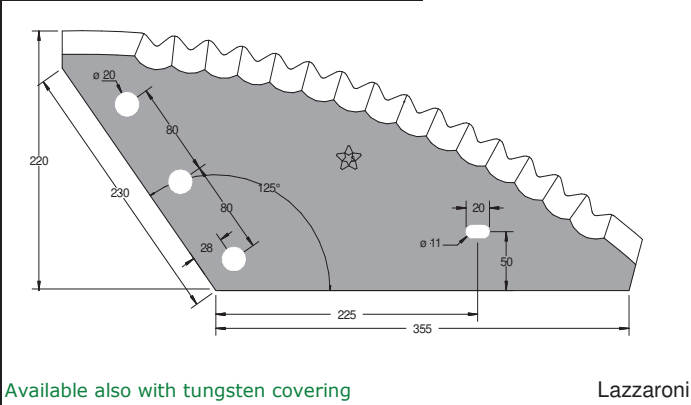
CMV 0009 DX - Platinum



Seko
Eurocomp
Unifast
AGM

Available also with chrome / tungsten covering

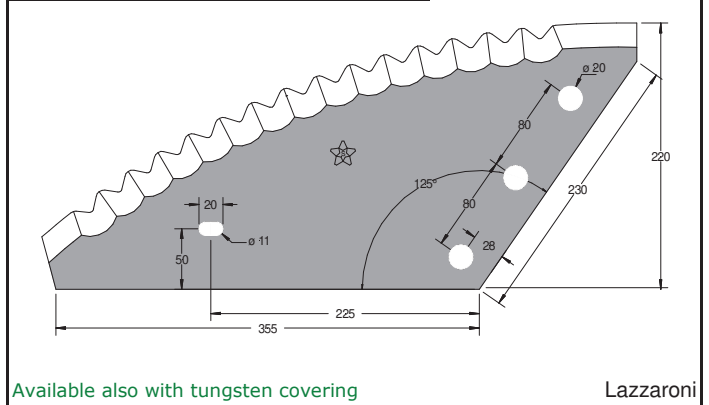
CMV 0010 SX - Standard



Lazzaroni

Available also with tungsten covering

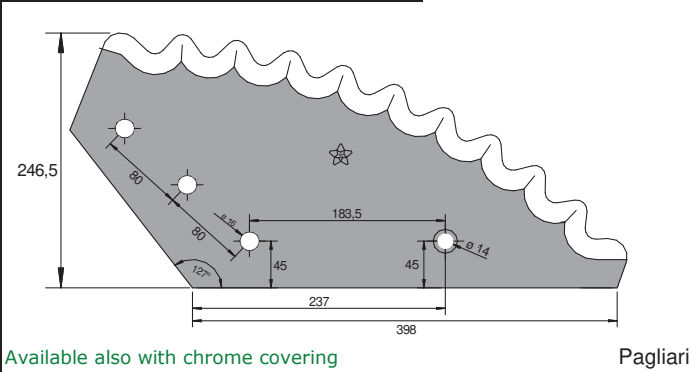
CMV 0010 DX - Standard



Lazzaroni

Available also with tungsten covering

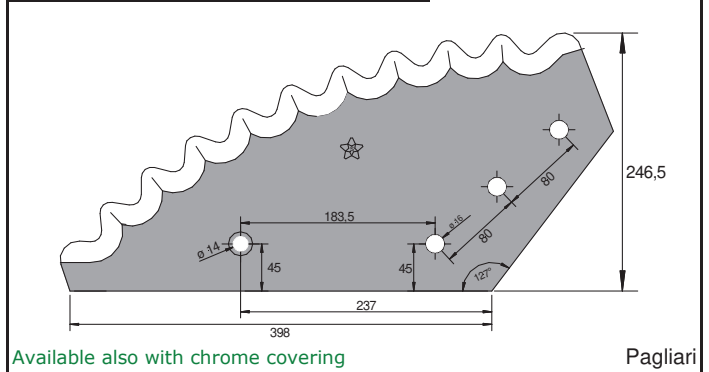
CMV 0011 SX - Platinum



Pagliari

Available also with chrome covering

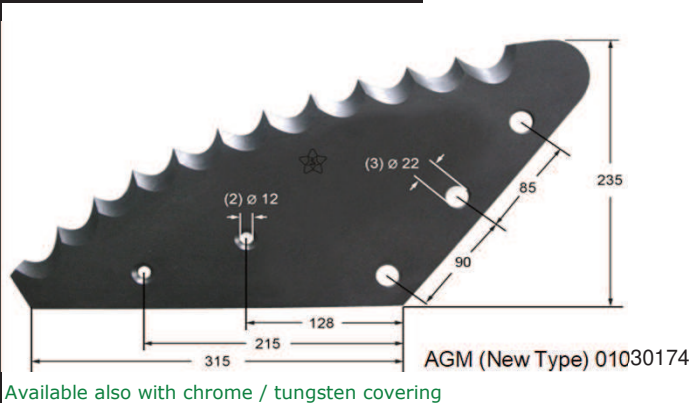
CMV 0011 DX - Platinum



Pagliari

Available also with chrome covering

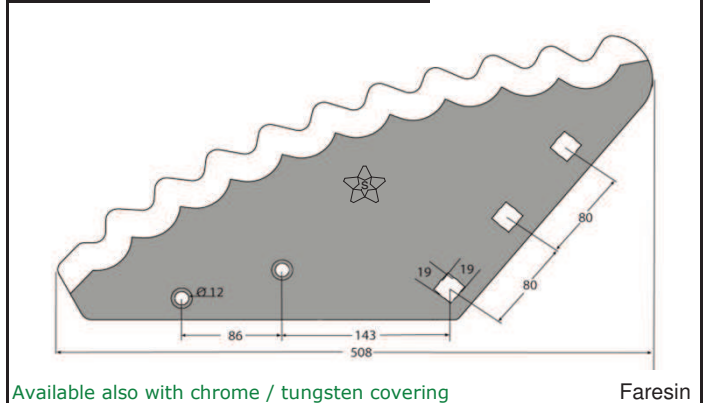
CMV 0012 - Platinum



AGM (New Type) 01030174

Available also with chrome / tungsten covering

CMV 0015



Faresin

Available also with chrome / tungsten covering



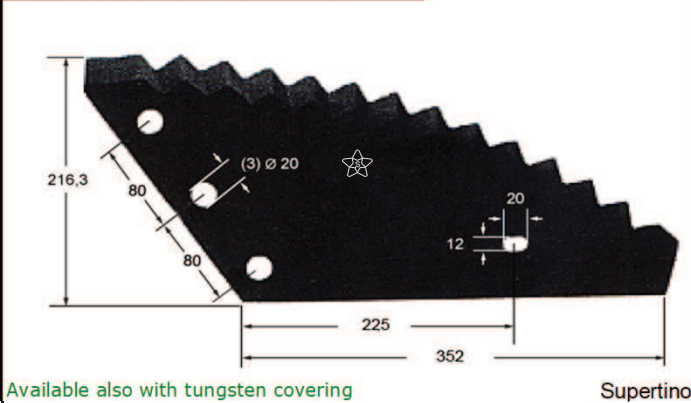
LAME PER CARRI DESILATORI - KNIVES FOR SHREDDER MIXER
KLINGEN FÜR SILOSENLADER - LAMES POUR EXTRACTEUR MELANGEURS
CUCHILLAS DESMENUZADORAS PARA CARROS MEZCLADORES
НОЖИ ДЛЯ МИКСЕРОВ-КОРМОРАЗДАТЧИКОВ

Code

Adaptable to: Code

Adaptable to:

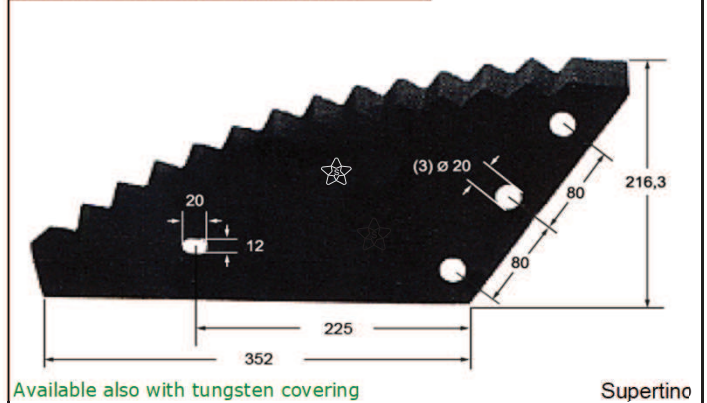
CMV 0014 SX - Standard



Available also with tungsten covering

Supertino

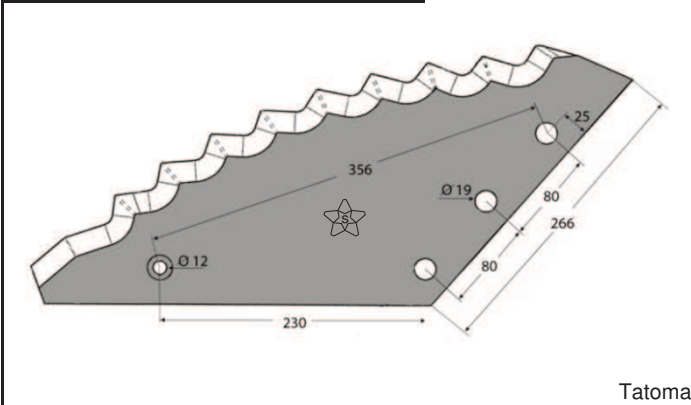
CMV 0014 DX - Standard



Available also with tungsten covering

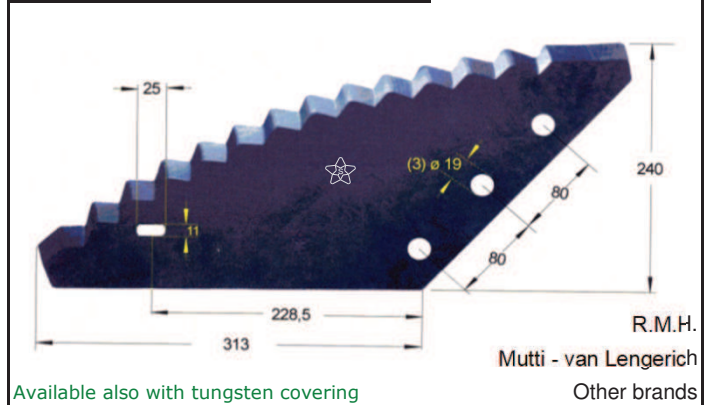
Supertino

CMV 0016



Tatoma

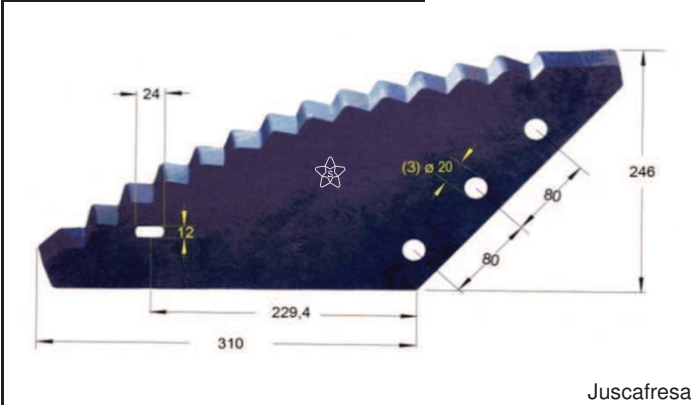
CMV 0018



Available also with tungsten covering

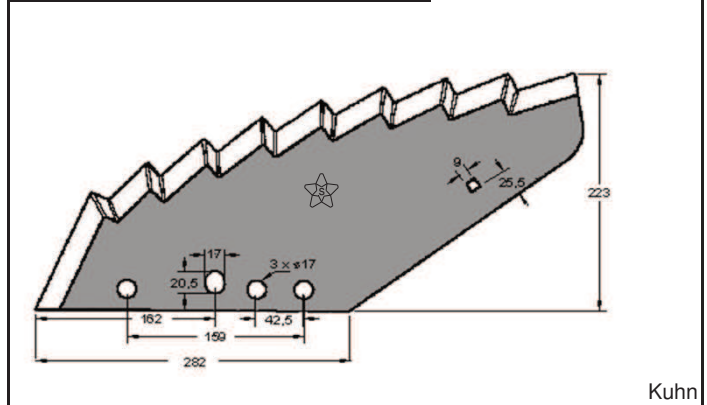
R.M.H.
Mutti - van Lengerich
Other brands

CMV 0019



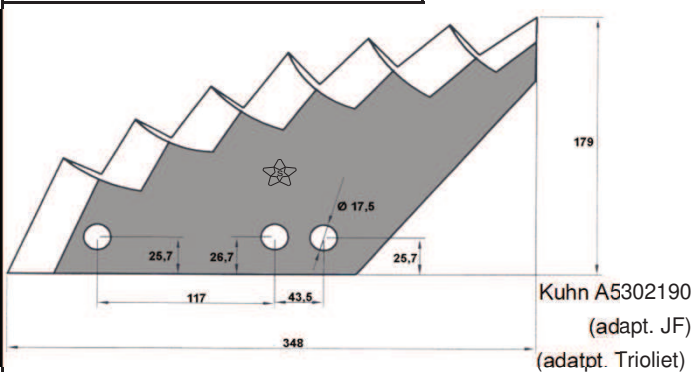
Juscafresa

CMV 0020



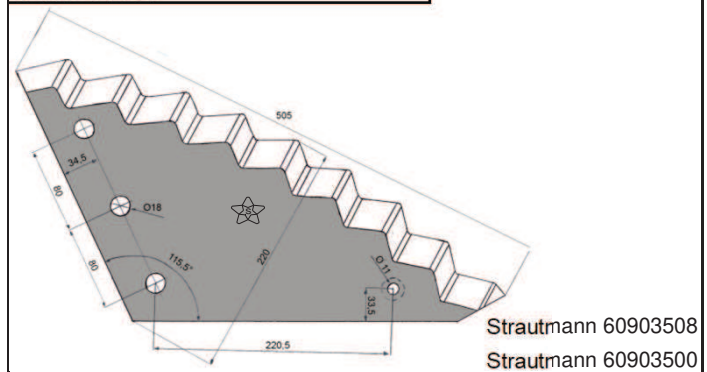
Kuhn

CMV 0021



Kuhn A5302190
(adapt. JF)
(adapt. Trioliet)

CMV 0022



Strautmann 60903508
Strautmann 60903500



LAME PER CARRI DESILATORI - KNIVES FOR SHREDDER MIXER
KLINGEN FÜR SILOSENLADER - LAMES POUR EXTRACTEUR MELANGEURS
CUCHILLAS DESMENUZADORAS PARA CARROS MEZCLADORES
НОЖИ ДЛЯ МИКСЕРОВ-КОРМОРАЗДАТЧИКОВ

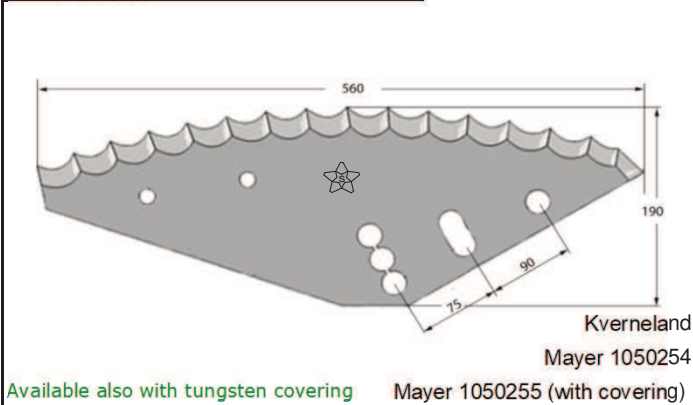
Code

Adaptable to:

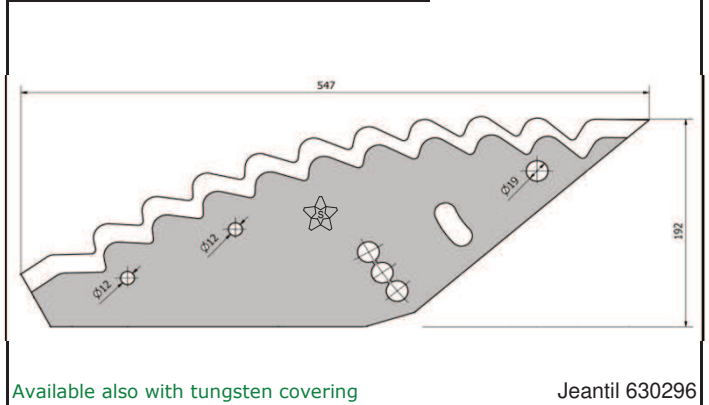
Code

Adaptable to:

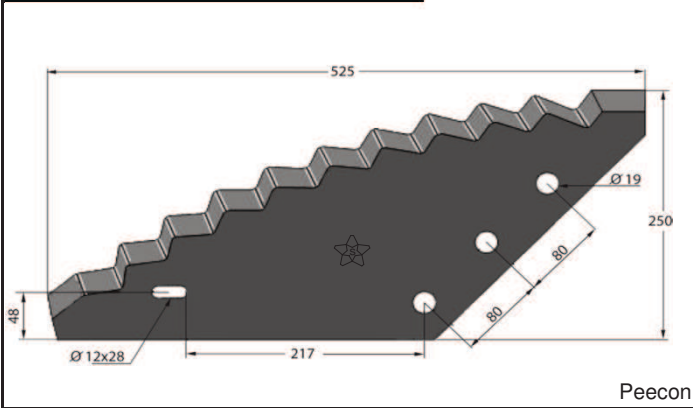
CMV 0023



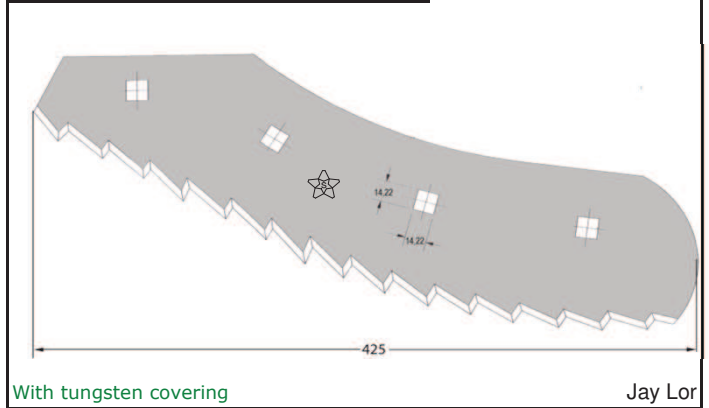
CMV 0023 JEANTIL



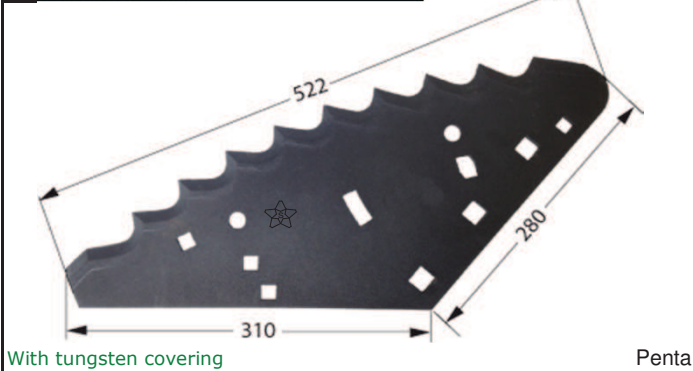
CMV 0024-



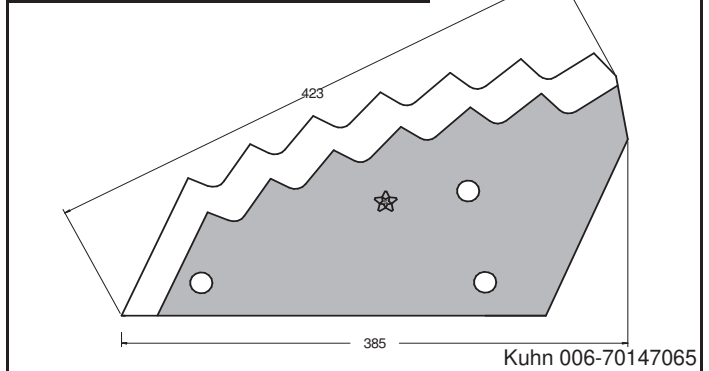
CMV 0025 TN



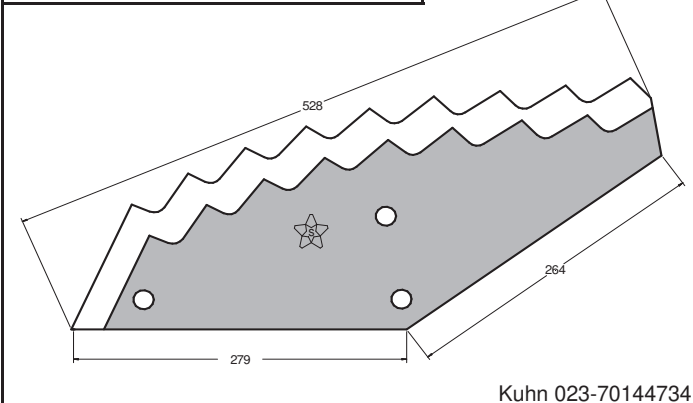
CMV 0026 TN



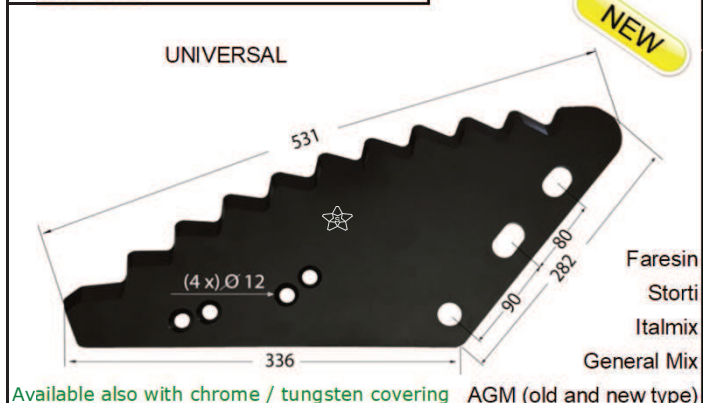
CMV 0027



CMV 0028



CMV 0029



LAME PER CARRI DESILATORI - KNIVES FOR SHREDDER MIXER
KLINGEN FÜR SILOSENLADER - LAMES POUR EXTRACTEUR MELANGEURS
CUCHILLAS DESMENUZADORAS PARA CARROS MEZCLADORES
НОЖИ ДЛЯ МИКСЕРОВ-КОРМОРАЗДАТЧИКОВ

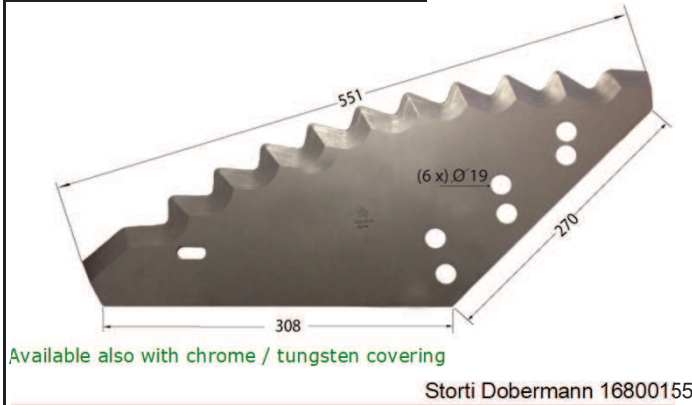
Code

Adaptable to:

Code

Adaptable to:

CMV 00155



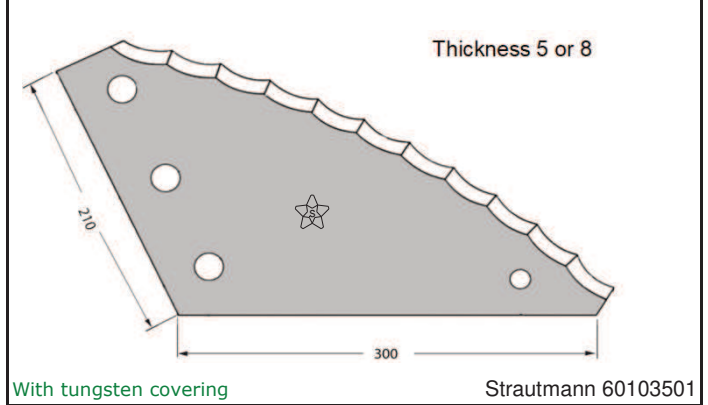
ST 16200



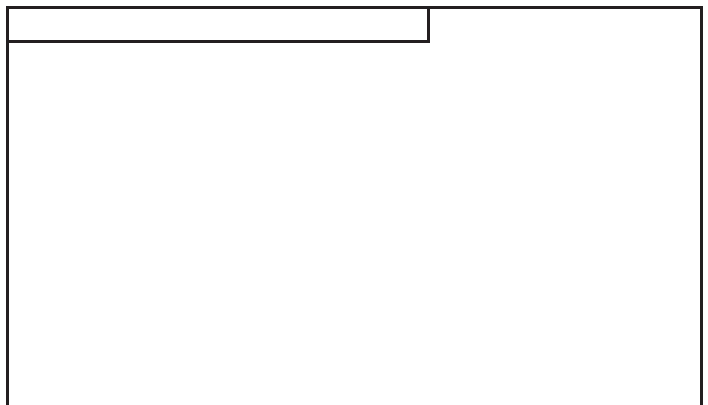
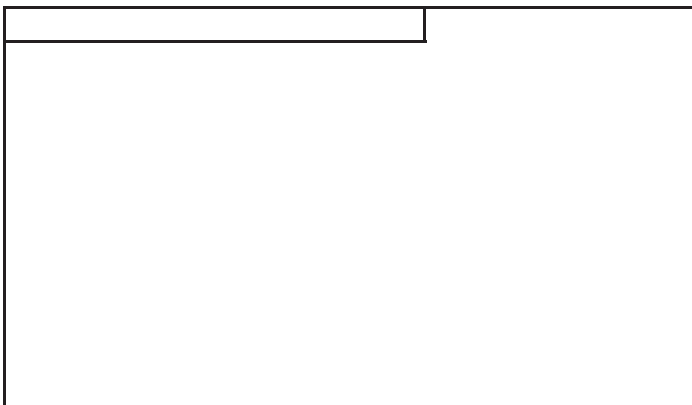
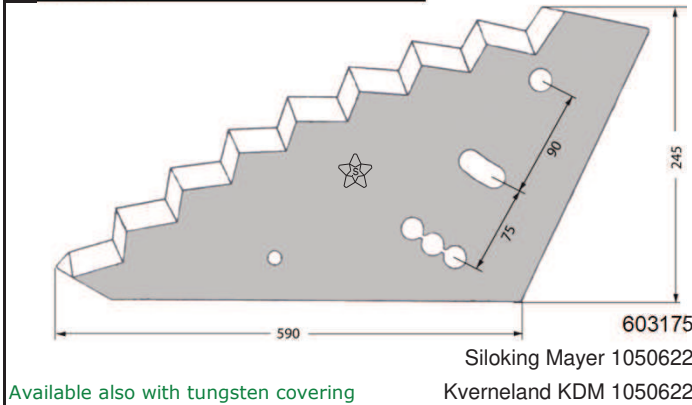
CMV 0035



CMV 0046 TN



CMV 0047



KNIVES FOR ROUND BALERS KNIVES FOR LOADING TRAILERS

www.stellalame.com



COLTELLI PER ROTOPRESSE- KNIVES FOR ROUND BALERS
COUTEAUX POUR PRESSES DES BALLES CYLINDRIQUES - MESSER FÜR BALLENPRESSEN
CUCHILLAS ROTOEMPACADORA - НОЖИ ДЛЯ ПРЕСС-ПОДБОРЩИКА

Code

Adaptable to:

Code

Adaptable to:

ROT 0065



Claas 837779.0

ROT 0067



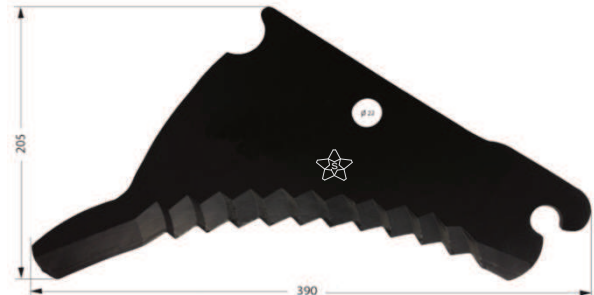
Claas 823422.1

ROT 0084



Claas 8510220
 Claas 845093.0

ROT 0072



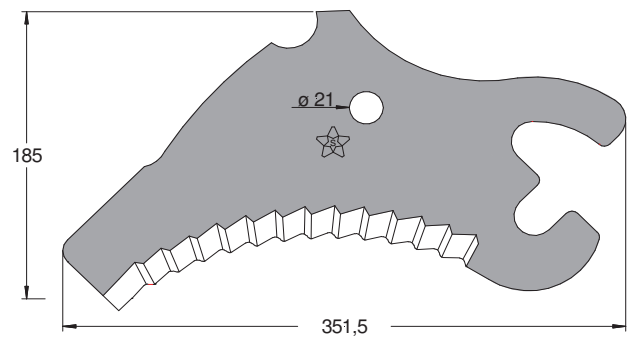
Kuhn Z4079940
 Deutz Fahr 1665 3188 (TN)
 Deutz Fahr 1661 3168

ROT 0071



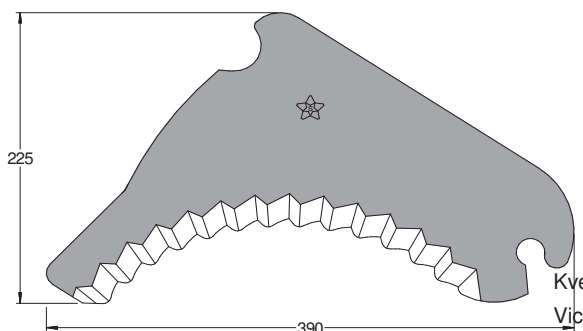
Deutz Fahr 1665 0699

ROT 0054



Feraboli 7U00035

ROT 0053



Kverneland
 Vicon
 Kubota KB 3320551
 Gallignani 3320551

ROT 0079



John Deere CC 45141



COLTELLI PER ROTOPRESSE- KNIVES FOR ROUND BALERS
COUTEAUX POUR PRESSES DES BALLES CYLINDRIQUES - MESSER FÜR BALLENPRESSEN
CUCHILLAS ROTOEMPACADORA - НОЖИ ДЛЯ ПРЕСС-ПОДБОРЩИКА

Code

Adaptable to:

Code

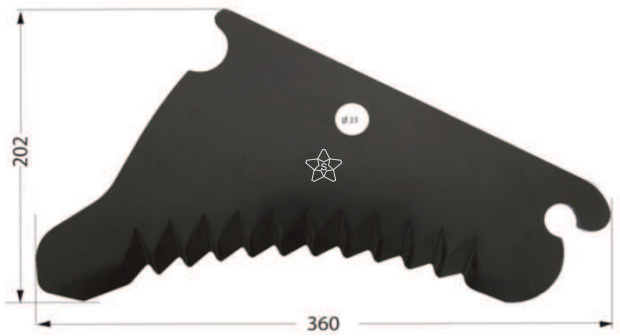
Adaptable to:

ROT 0080



John Deere CC 45488

ROT 0081



John Deere CC 52821

ROT 0085



Krone 0279-349
 Krone 2777610
 John Deere LCD 277 761

ROT 0094



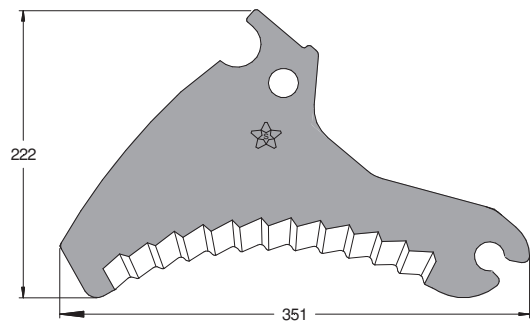
Krone 2857773
 Krone 287808.2

ROT 0096



Krone Comprima 200611143

ROT 0051



Laverda 3005955
 Case III 3005891

ROT 0083



McHale CKN 00014

ROT 0086



McHale CKN 00014 N



COLTELLI PER ROTOPRESSE- KNIVES FOR ROUND BALERS
COUTEAUX POUR PRESSES DES BALLEES CYLINDRIQUES - MESSER FÜR BALLENPRESSEN
CUCHILLAS ROTOEMPACADORA - НОЖИ ДЛЯ ПРЕСС-ПОДБОРЩИКА

Code

Adaptable to:

Code

Adaptable to:

ROT 0050



New Holland 84058385

ROT 0055



New Holland 84024222
Laverda 410.000.228

ROT 0087



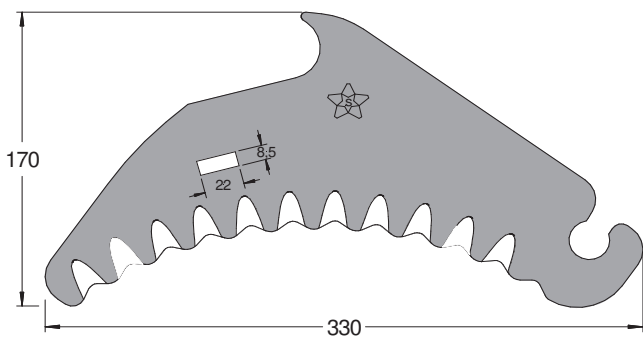
New Holland 84058219

ROT 0088



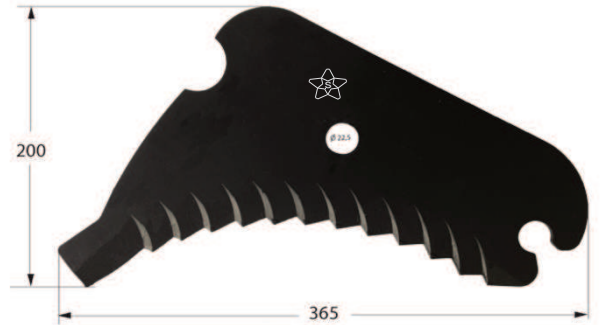
New Holland 84056505

ROT 0052



Supertino

ROT 0074



Welger 0982.21.01.00
Welger 0982210100

ROT 0075



Welger 0982.21.04.00
Welger 0982210400

ROT 0082



Welger 0982.21.09.00
Welger 0982210900



COLTELLI PER ROTOPRESSE- KNIVES FOR ROUND BALERS
COUTEAUX POUR PRESSES DES BALLES CYLINDRIQUES - MESSER FÜR BALLENPRESSEN
CUCHILLAS ROTOEMPACADORA - НОЖИ ДЛЯ ПРЕСС-ПОДБОРЩИКА

Code

Adaptable to: Code

Adaptable to:

ROT 0100



immagine
non disponibile

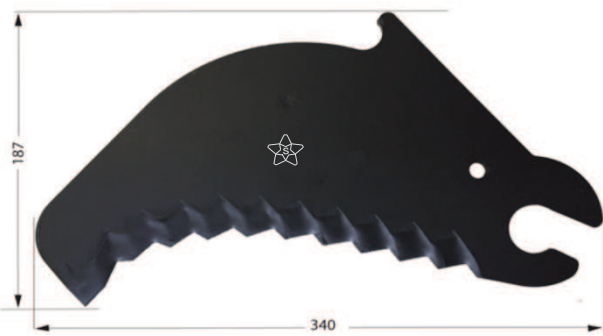
Claas 8661250

ROT 0101



Kuhn Z 4533760 (TN)

ROT 0103



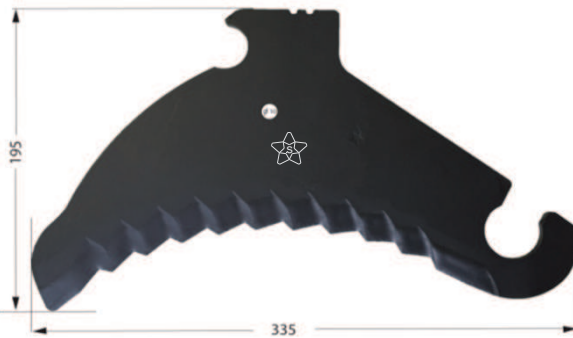
CNH 87649287 (TN)
CNH 87036000

ROT 0104



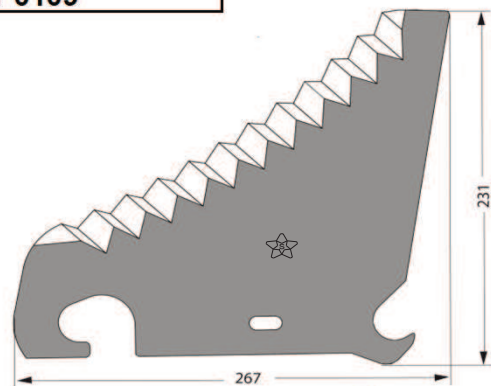
John Deere CC126575 (TN)

ROT 0105



Krone 200715720
Krone 200730770 (TN)

ROT 0109



Case 84056426

ROT 0110



Massey Ferguson 700721367

ROT 0111



Krone Comprima 202608661



COLTELLI PER ROTOPRESSE- KNIVES FOR ROUND BALERS
COUTEAUX POUR PRESSES DES BALLES CYLINDRIQUES - MESSER FÜR BALLENPRESSEN
CUCHILLAS ROTOEMPACADORA - НОЖИ ДЛЯ ПРЕСС-ПОДБОРЩИКА

Code

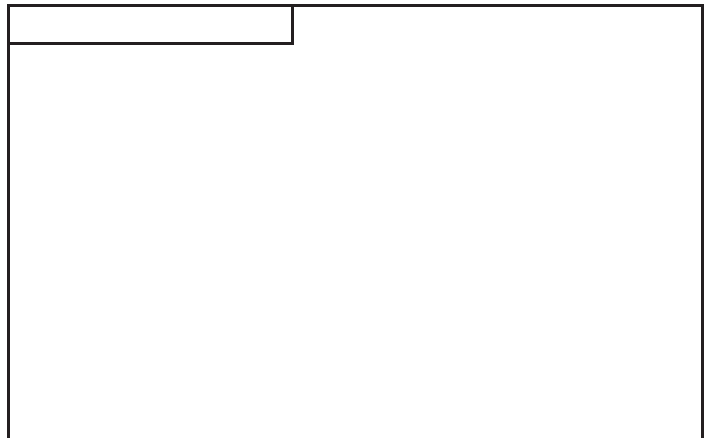
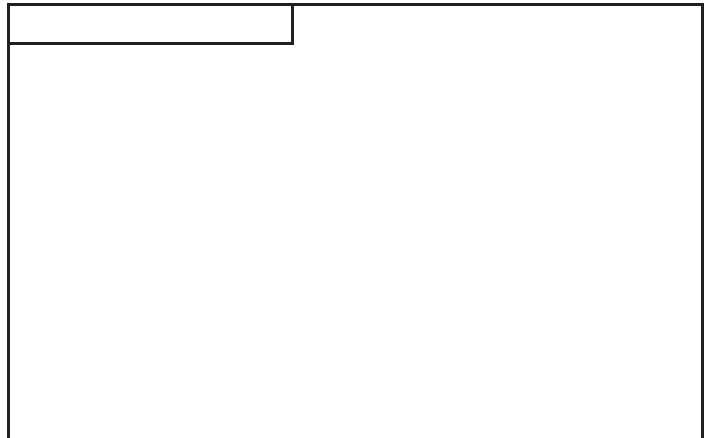
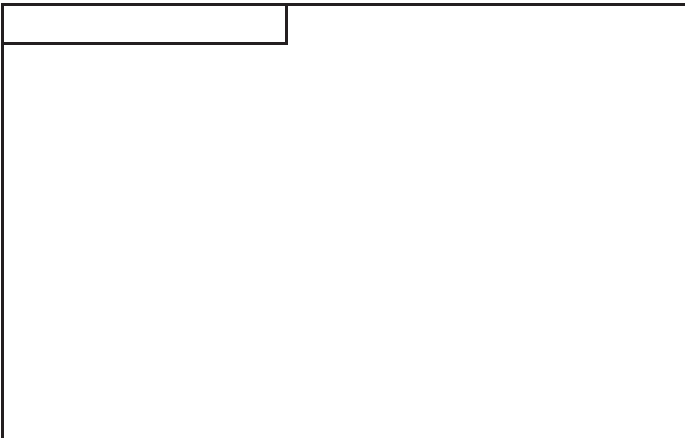
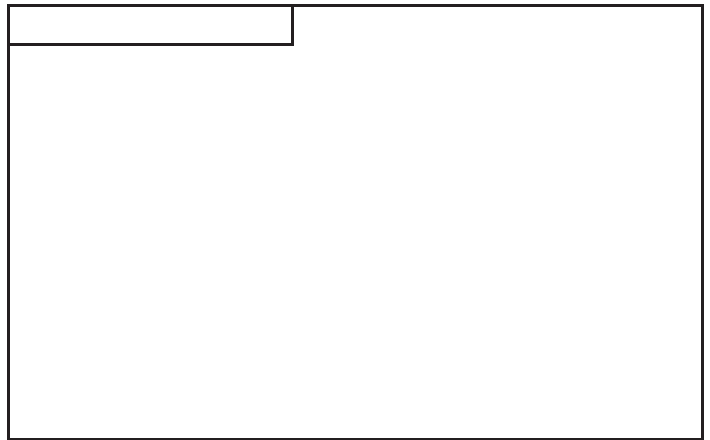
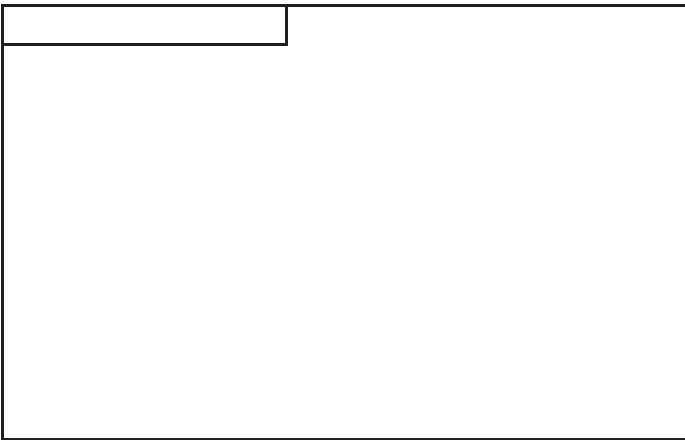
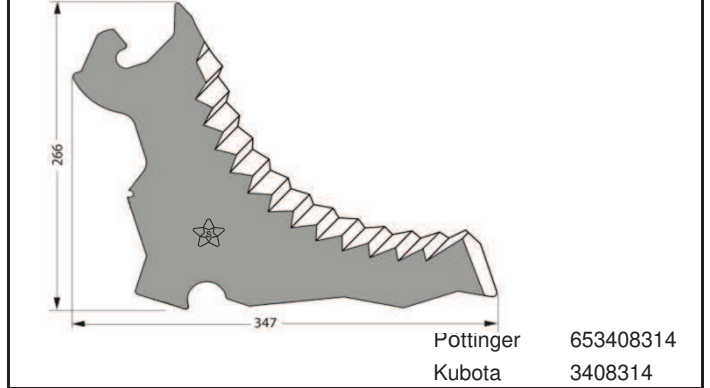
Adaptable to: Code

Adaptable to:

ROT 0112



ROT 0114



COLTELLI PER AUTOCARICANTI - LOADING TRAILERS
COUTEAUX POUR REMORQUES AUTOCHARGEUSES - MESSER FÜR LADEWAGEN
CUCHILLAS AUTOCARGADORES - САМОЗАГРУЗОЧНОЙ МАШИНЫ

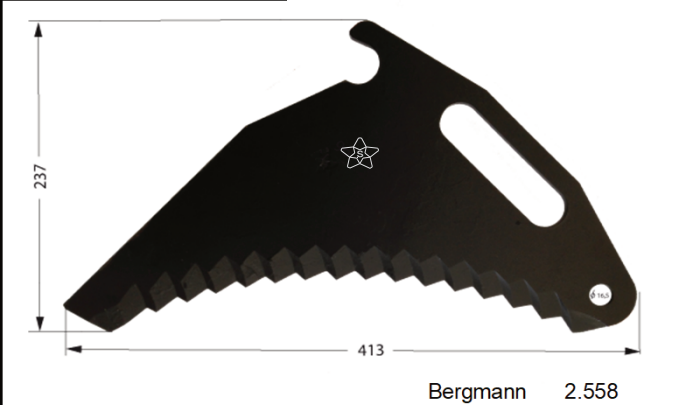
Code

Adaptable to:

Code

Adaptable to:

ROT 0089



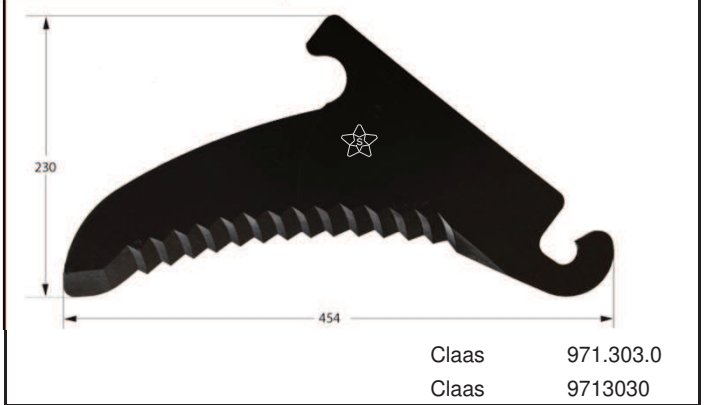
ROT 0090



ROT 0091



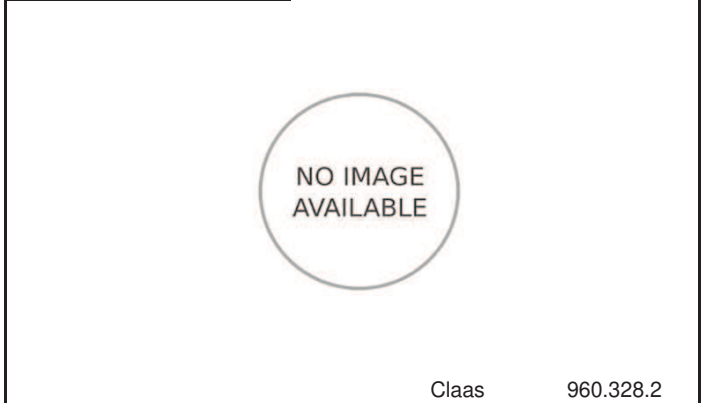
ROT 0057



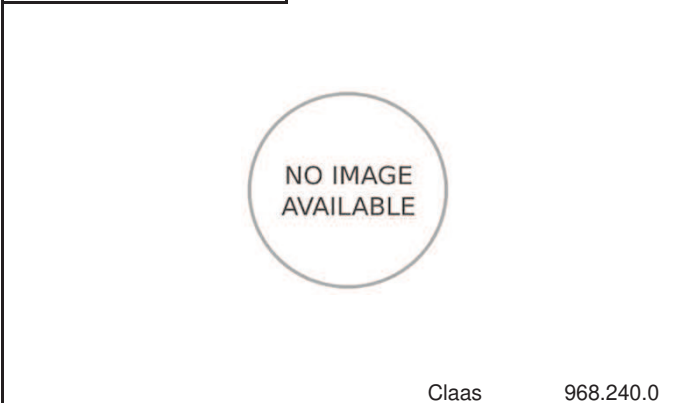
ROT 0058



ROT 0064



ROT 0066



ROT 0073



COLTELLI PER AUTOCARICANTI - LOADING TRAILERS
COUTEAUX POUR REMORQUES AUTOCHARGEUSES - MESSER FÜR LADEWAGEN
CUCHILLAS AUTOCARGADORES - САМОЗАГРУЗОЧНОЙ МАШИНЫ

Code

Adaptable to:

Code

Adaptable to:

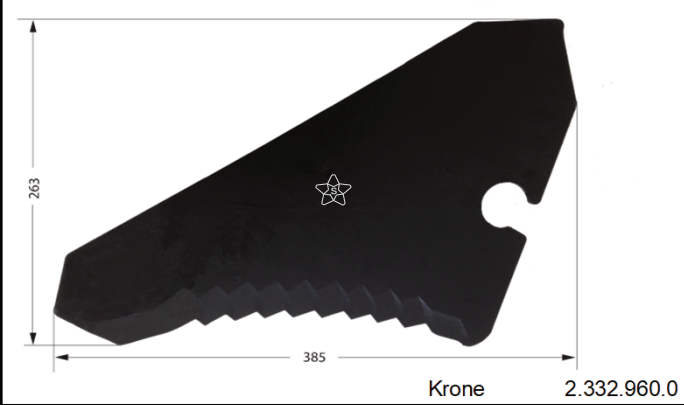
ROT 0092



ROT 0059



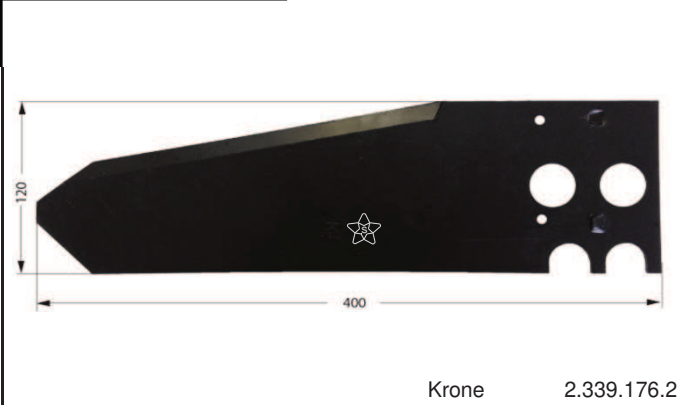
ROT 0060



ROT 0061



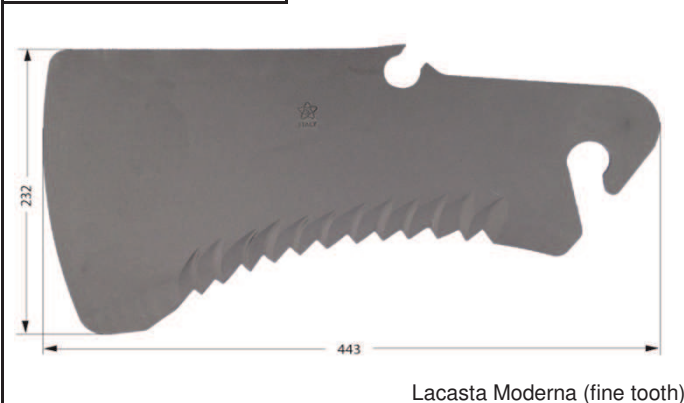
ROT 0062



ROT 0063



ROT 0095 A



ROT 0095 B



COLTELLI PER AUTOCARICANTI - LOADING TRAILERS
COUTEAUX POUR REMORQUES AUTOCHARGEUSES - MESSER FÜR LADEWAGEN
CUCHILLAS AUTOCARGADORES - САМОЗАГРУЗОЧНОЙ МАШИНЫ

Code

Adaptable to:

Code

Adaptable to:

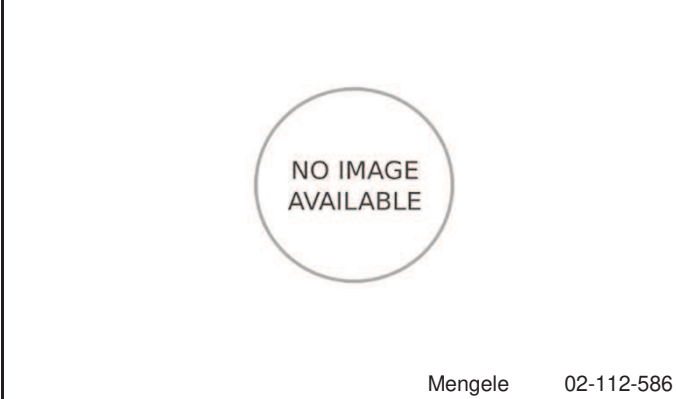
ROT 0076



ROT 0077



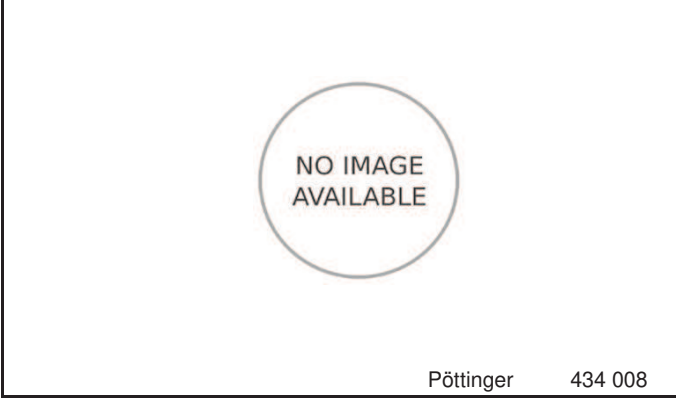
ROT 0078



ROT 0056



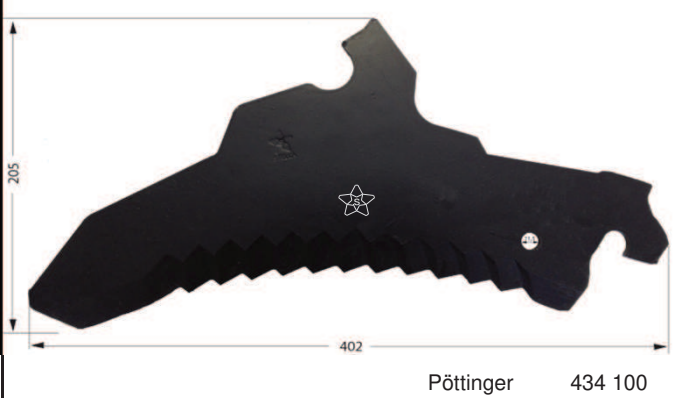
ROT 0068



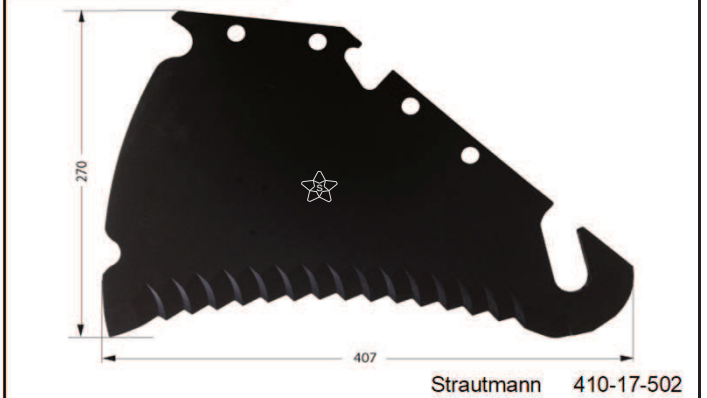
ROT 0069



ROT 0070



ROT 0093



COLTELLI PER AUTOCARICANTI - LOADING TRAILERS
COUTEAUX POUR REMORQUES AUTOCHARGEUSES - MESSER FÜR LADEWAGEN
CUCHILLAS AUTOCARGADORES - САМОЗАГРУЗОЧНОЙ МАШИНЫ

Code

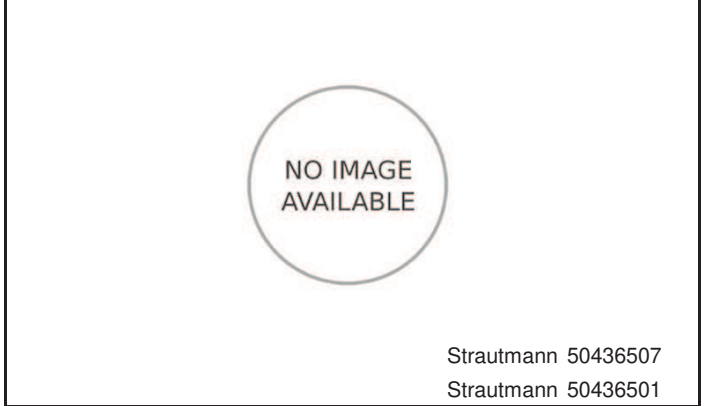
Adaptable to: Code

Adaptable to:

ROT 0097



ROT 0098



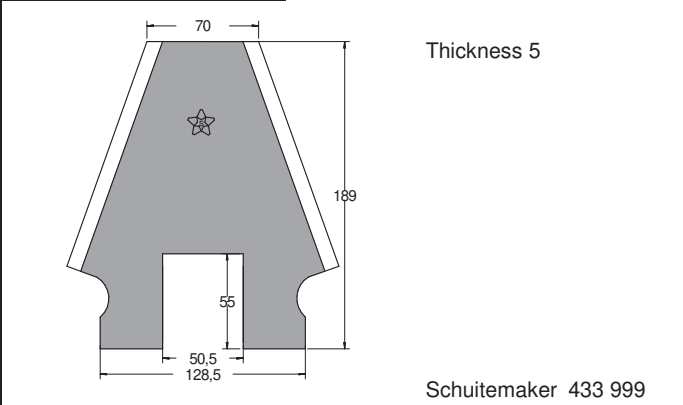
ROT 0099



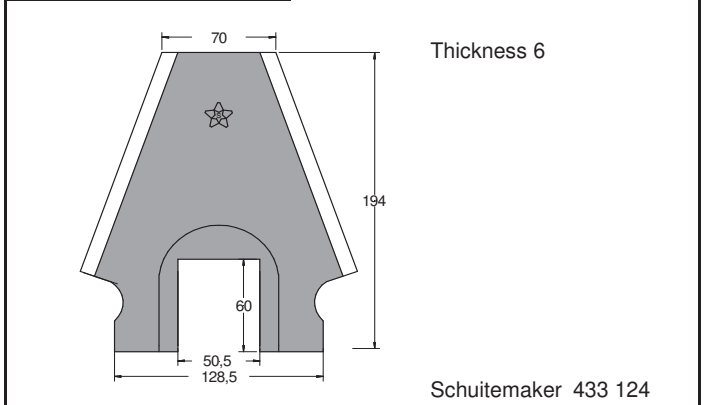
ROT 0102



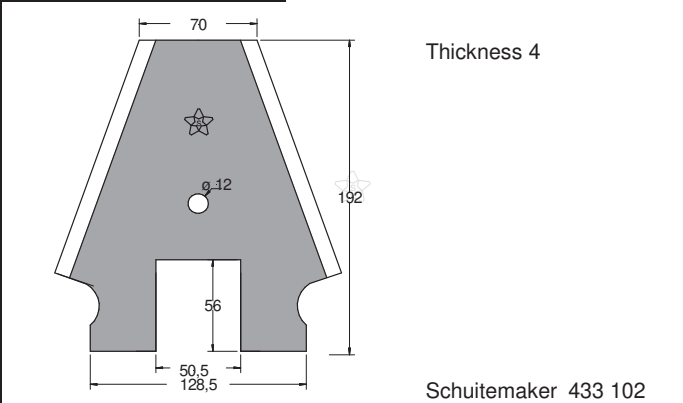
ST 0030



ST 0031



ST 0032



ROT 0116



COLTELLI PER AUTOCARICANTI - LOADING TRAILERS
COUTEAUX POUR REMORQUES AUTOCHARGEUSES - MESSER FÜR LADEWAGEN
CUCHILLAS AUTOCARGADORES - САМОЗАГРУЗОЧНОЙ МАШИНЫ

Code

Adaptable to:

Code

Adaptable to:



COLTELLI PER AUTOCARICANTI - LOADING TRAILERS
COUTEAUX POUR REMORQUES AUTOCHARGEUSES - MESSER FÜR LADEWAGEN
CUCHILLAS AUTOCARGADORES - САМОЗАГРУЗОЧНОЙ МАШИНЫ

Code

Adaptable to:

Code

Adaptable to:



PLAQUES

www.stellalame.com



PIASTRINE - PLAQUES
FINGER PLATTEN - PLAQUES - ЧИСТЯЩИЕ ПЛАСТИНЫ

Code

Adaptable to: Code

Adaptable to:

SS 220 A

SEMIFITTO
Hole down countersink

12
60
13
34
50,8

Gaspardo 2002477.1

246 F

FITTO
Hole down countersink

16
63
8,7
38,1

Bcs 58002355.5
Bedogni - Olimpia
Bertolini

246 FS

SEMIFITTO
Hole down countersink

16,5
63
10,5
50,8

Bcs 58002477.1

LF 41

Thickness 3
Holes down countersink

28
52,5
36
15
28
50
74
5,5

Laverda 3023363

1250

Thickness 3
Holes down countersink

28
52,5
36
13
28
50
74
5,5

1250 R

Thickness 3
Holes down countersink

28
51
36
13
28
50
74
5,5

Gaspardo G319

GS 1395

Thickness 3
Holes down countersink

35
52,5
35
10
86
5,5

Gribaldi & Salvia 1395



BLADES FOR BRUSH CUTTERS

www.stellalame.com



LAME PER DECESPUGLIATORI - BLADES FOR BRUSH CUTTER
FREISCHNEIDER MESSER - LAMES POUR DEBROUSSAILLEUSES
DESBROZADORAS - ЛЕЗВИЯ ДЛЯ МОТОКОС

Code


DCP-ROM	Diameter	Hole	Thickness
	255	25,4	1,5
	300	25,4	1,5
	255	25,4	2,5
	300	25,4	2,5
	320	25,4	2,5

DCP-DS3P	Diameter	Hole	Thickness
	255	25,4	1,5

DCP-3P	Diameter	Hole	Thickness
	255	25,4	1,5
	255	25,4	2,5
	300	25,4	2,5

DCP-DS3	Diameter	Hole	Thickness
	200	25,4	1,5
	230	25,4	1,5
	255	25,4	1,5

DCP-DS4	Diameter	Hole	Thickness
	200	25,4	1,5
	230	25,4	1,5
	255	25,4	1,5

DCP-DS8P	Diameter	Hole	Thickness
	200	25,4	1,5
	230	25,4	1,5
	255	25,4	1,5

DCP-DS22P	Diameter	Hole	Thickness
	255	25,4	1,5

232 L TA	Diameter	Hole	Thickness
	-	8,2	2,5



KIT BLADES FOR AUTOMATIC ROBOTS

www.stellalame.com



KIT LAME PER ROBOT AUTOMATICI - KIT BLADES FOR AUTOMATIC ROBOTS
MESSERKLINGEN ROBOT MIT SCHRAUBEN - LAMES POUR ROBOTS AUTOMATIQUES
KIT CUCHILLAS PARA ROBOT - КОМПЛЕКТ ЛЕЗВИЙ ДЛЯ РОБОТА ГАЗОНОКОСИЛКИ

Code:

Adaptable to:

KLR 577606402



NEW

Automower Husqvarna (kit blades + screws)

577606402
577606403
577606506
577606503
577606602

535138701
535138702
535138703
535138801
535138802
505127801
505127802

The knives of this catalogue are adattable to indicated brands. The codes and the brands are specified only for comparative purposes and adaptability.



COMPLETE KNIFE STELLA for MOWERS

www.stellalame.com



LAME COMPLETE PER FALCIATRICI - COMPLETE MOWERS KNIFE
MÄHBALKEN - LAMES COMPLÈTES
BARRAS DE CUCHILLAS - СЕКЦИОНАЛЬНЫЕ НОЖИ ДЛЯ КОСИЛКИ



Adaptable BCS

Code	Original code	Series	N° sections/fingers	Type sections/fingers	Length (Meters)	Notes
SLC 0010	58027092	Duplex	24	27096 S sv.	1,80	Blade with sections
SLC 0020	58027093	Duplex	28	27096 S sv.	2,10	Blade with sections
SLC 0030	58028911	Duplex Gold	22	28096 S sv.	1,68	Blade with sections
SLC 0040	58028910	Duplex Gold	24	28096 S sv.	1,82	Blade with sections
SLC 0050	58028912	Duplex Gold	28	28096 S sv.	2,12	Blade with sections
SLC 0060	58028914	Duplex Gold	32	28096 S sv.	2,42	Blade with sections
SLC 0070	59020716	622	17	212 SF	1,27	Blade with sections
SLC 0080	59020688	622	19	212 SF	1,40	Blade with sections
SLC 0090	59048926 59058790	Barra Europa Barra Europa rinforzata	19 19	59015 S sv. 50696 S sv.	1,00 1,00	Blade with sections
SLC 0100	59048909 59058791	Barra Europa Barra Europa rinforzata	23 23	59015 S sv. 50696 S sv.	1,15 1,15	Blade with sections
SLC 0110	59048906 59058792	Barra Europa Barra Europa rinforzata	27 27	59015 S sv. 50696 S sv.	1,35 1,35	Blade with sections
SLC 0111	59058728	Barra Laser / BF 2011	19	58716	1,00	Blade with sections
SLC 0112	59058739	Barra Laser / BF 2011	23	58716	1,15	Blade with sections
SLC 0113	59058740	Barra Laser / BF 2011	27	58716	1,35	Blade with sections



LAME COMPLETE PER FALCIATRICI - COMPLETE MOWERS KNIFE
MÄHBALKEN - LAMES COMPLÈTES
BARRAS DE CUCHILLAS - СЕКЦИОНАЛЬНЫЕ НОЖИ ДЛЯ КОСИЛКИ



Adaptable GASPARDO

Code	Original code	Series	N° sections/fingers	Type sections/fingers	Length (Meters)	Notes
SLC 0120	21120049	FB-925 / 925 S	24	88x3 S f.5,5 sv.	1,75	Blade with sections
SLC 0130	21120102	FB-925 / 925 S	28	88x3 S f.5,5 sv.	2,05	Blade with sections
SLC 0140	21120053	FB-925 / 925 S	12	21120066	1,75	Blade with fingers
SLC 0150	21120106	FB-925 / 925 S	14	21120066	2,05	Blade with fingers
SLC 0160	21120240	FB-940	24	88x3 S f.6,25 sv.	1,75	Blade with sections
SLC 0170	21120241	FB-940	28	88x3 S f.6,25 sv.	2,05	Blade with sections
SLC 0180	21120256	FB-940	12	21120268	1,75	Blade with fingers
SLC 0190	21120257	FB-940	14	21120268	2,05	Blade with fingers
SLC 0200	13013580	FBR	24	88x3 S f.6,25 sv.	1,75	Blade with sections
SLC 0210	13013590	FBR	28	88x3 S f.6,25 sv.	2,05	Blade with sections
SLC 0220	13013770	FBR	12	13013270	1,75	Blade with fingers
SLC 0230	13013780	FBR	14	13013270	2,05	Blade with fingers
SLC 0232	13013772	FBR	12	13013270 / 13014220	1,75	Blade with fingers
SLC 0234	13013782	FBR	14	13013270 / 13014220	2,05	Blade with fingers



LAME COMPLETE PER FALCIATRICI - COMPLETE MOWERS KNIFE
MÄHBALKEN - LAMES COMPLÈTES
BARRAS DE CUCHILLAS - СЕКЦИОНАЛЬНЫЕ НОЖИ ДЛЯ КОСИЛКИ



Adaptable GASPARDO

Code	Original code	Series	N° sections/fingers	Type sections/fingers	Length (Meters)	Notes
SLC 0236	13013670	FBR	24	1313540/50	1,75	Blade with double sect.
SLC 0238	13013680	FBR	28	1313540/50	2,05	Blade with double sect.

Adaptable GRIBALDI & SALVIA

SLC 0240	.017	Superior	24	89x3 S f.5,5 sv. sopra	1,82	Blade with sections
SLC 0250	.017	Superior	28	89x3 S f.5,5 sv. sopra	2,12	Blade with sections
SLC 0260	.016	Superior	12	087-088	1,82	Blade with fingers
SLC 0270	.016	Superior	14	087-088	2,12	Blade with fingers

Adaptable BEDOGNI

SLC 0280	12280	Olimpia	17	212 SF	1,27	Blade with sections
SLC 0290	12280	Olimpia	19	212 SF	1,40	Blade with sections

Adaptable BERTOLINI

SLC 0300	BRF58.124D-125-126		17	212 SF	1,27	Blade with sections
SLC 0310	BRF58.124D-125-126		19	212 SF	1,40	Blade with sections

Other brands

ON REQUEST



COMPLETE KNIFE STELLA for COMBINE

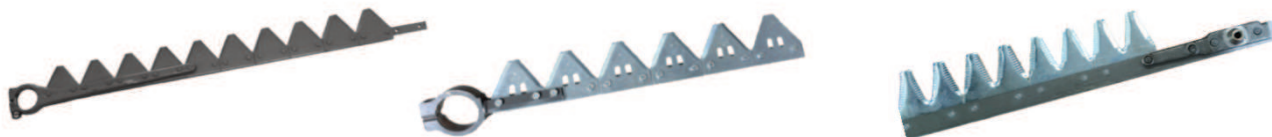
www.stellalame.com



LAME COMPLETE PER MIETITREBBIA - COMPLETE KNIFE

MÄHBALKEN - LAMES COMPLÈTES

BARRAS DE CUCHILLAS - СЕКЦИОНАЛЬНЫЕ НОЖИ ДЛЯ ЗЕРНОУБОРОЧНЫХ КОМБАЙНОВ



Adaptable LAVERDA

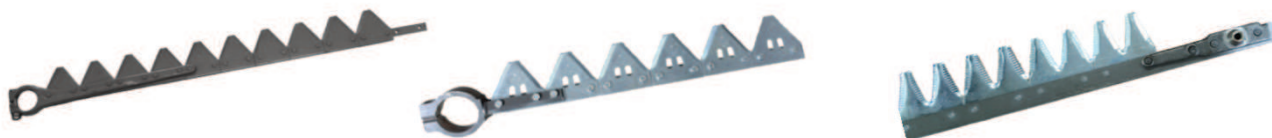
Code	Original code	Series	N° sections/fingers	Type sections/fingers	Length (Meters)	Notes
SLC 1000	300114585	-	43	242 S	3,10	-
SLC 1005	300114586	-	49	242 S	3,60	-
SLC 1010	300114587	-	57	242 S	4,20	-
SLC 1020	300114588	-	65	242 S	4,80	-
SLC 1030	300114589	-	73	242 S	5,40	-
SLC 1040	300114590	-	81	242 S	6,20	-
SLC 1050	300114591	-	89	242 S	6,60	-
SLC 1055	320900050	-	42	343 SR f.6,8	3,10	-
SLC 1060	321220050	-	49	343 SR f.6,8	3,60	-
SLC 1070	321220150	-	53	343 SR f.6,8	3,90	-
SLC 1080	321220250	-	57	343 SR f.6,8	4,20	-
SLC 1090	321220350	-	65	343 SR f.6,8	4,80	-
SLC 1100	321220450	-	73	343 SR f.6,8	5,40	-



LAME COMPLETE PER MIETITREBBIA - COMPLETE KNIFE

MÄNBALKEN - LAMES COMPLÈTES

BARRAS DE CUCHILLAS - СЕКЦИОНАЛЬНЫЕ НОЖИ ДЛЯ ЗЕРНОУБОРОЧНЫХ КОМБАЙНОВ



Adaptable LAVERDA

Code	Original code	Series	N° sections/fingers	Type sections/fingers	Length (Meters)	Notes
SLC 1110	321220550	-	81	343 SR f.6,8	6,00	-
SLC 1120	321220650	-	89	343 SR f.6,8	6,60	-
SLC 1130	321220750	-	101	343 SR f.6,8	7,60	-
SLC 1140	322704300/V	-	57	222 20	4,20	-
SLC 1150	322704400/V	-	65	222 20	4,80	-
SLC 1160	322704500/V	-	73	222 20	5,40	-
SLC 1170	322704600/V	-	81	222 20	6,00	-
SLC 1180	322704700/V	-	89	222 20	6,60	-
SLC 1190	322704000	-	13	222 20		Central piece blade
SLC 1200	322704100	-	22	222 20		Final piece blade
SLC 1210	322704200	-	24	222 20		Initial piece blade
SLC 1220	322709500	-	14	222 20		Final piece blade
SLC 1230	322707150	-	3	222 20		Kit



LAME COMPLETE PER MIETITREBBIA - COMPLETE KNIFE

MÄHBALEN - LAMES COMPLÈTES

BARRAS DE CUCHILLAS - СЕКЦИОНАЛЬНЫЕ НОЖИ ДЛЯ ЗЕРНОУБОРОЧНЫХ КОМБАЙНОВ






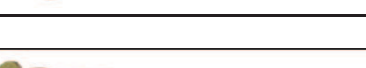
Adaptable LAVERDA

Code	Original code	Series	N° sections/fingers	Type sections/fingers	Length (Meters)	Notes
SLC 1300	3113011520	-	55	242 S	4,20	Blade head 311301110
SLC 1310	3113011530	-	63	242 S	4,80	Blade head 311301110
SLC 1400	300032600	-	30	242 S	2,30	-
SLC 1410	300117667	-	42	242 S	3,10	-
SLC 1420	300114783	-	53	242 S	3,90	-

COMPLETE KNIVES FOR TOMATO

SLC 0410	-	-	18	ST 6000 ZN holes down countersink	1,635	-
SLC 0420	-	-	20	ST 6000 ZN holes down countersink	1,655	-
SLC 0430	-	-	22	ST 6000 ZN holes down countersink	1,900	-

Blade head for harvester combine

STL 1000	311458660	Laverda		Hole 5,5	-
STL 1010	3212199510	Laverda		Hole 6,5	-
STL 1020	322702950	Laverda		-	-
STL 1030	80753862	New Holland		-	-

Blade head for mowers

STL 2000	56358708	BCS			Laser bar
-----------------	----------	-----	--	--	-----------



New double guard **UNIVERSALE**

Forged Steel

www.stellalame.com

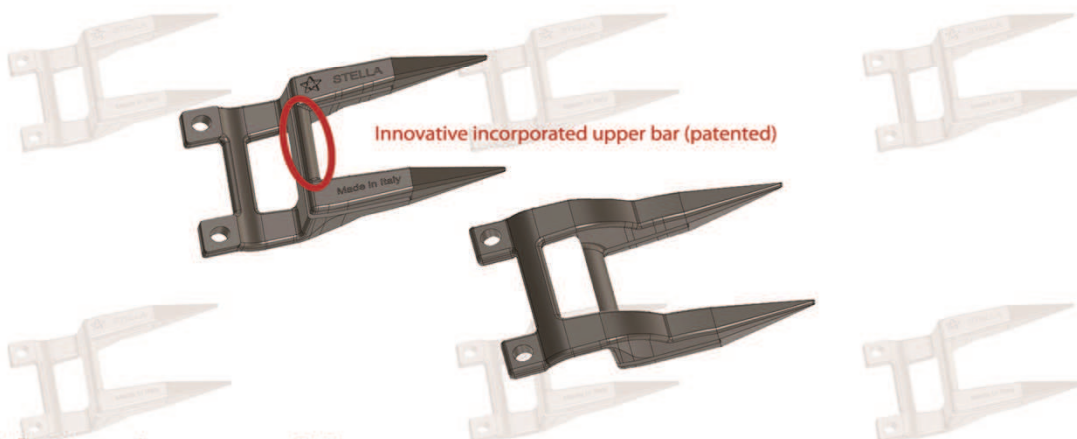


- **Easier to mount and dismount**

the UNIVERSALE guard can be changed without removing the complete mobile sectional knife bar from header and not need the protective clips thanks to its innovative incorporated upper bar

- **Precise and stronger bar guidance**

forged quality steel with uniform measures that reduce the resistance during the movement of the knife bar for an optimal cut



- **100% interchangeable**

interchangeable on main harvester headers

John Deere, Agco, Laverda, Fendt, Rostselmash

Deutz Fahr, all Sch applications and many others

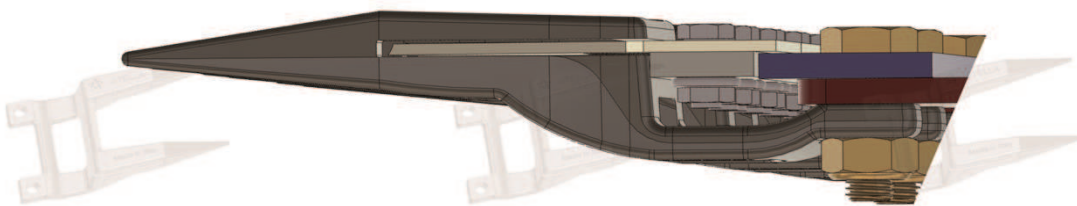
Suitable on complete new cutting unit Stella Testa rossa

- **Clean header**

thanks to its innovative design the guards keep cleaner the cutting bar and avoid the accumulation of vegetable waste

- **Heat treated**

made for higher performance and superior durability



Product code STDM 01 UNIVERSALE

Patented product



DENTI PER MIETTITREBBIA - GUARDS FOR HARVESTER
MÄHFINGER FÜR MAHDRESCHER - DOIGTS POUR MOISSONNEUSES BATTEUSE
DEDO COSECHADORA

Code Adaptable to: Code Adaptable to:

STDM 01 UNIVERSALE




NEW

Sch	410100001
Sch	16500
Deutz Fahr	6503514
Laverda	322702450
John Deere	Z11785
Agco	71386906
Massey Ferguson	


Forged Steel

DM 1



Deutz Fahr	6503514
Laverda	322702450
John Deere	Z11785
Agco	71386906
Sch	410100001
Sch	16500
Massey Ferguson	

STDM 02 UNIVERSALE OPEN




NEW

Sch	410300041
Sch	10701.01
Laverda	322702550
John Deere	AH143573
Deutz Fahr	
Agco	71386905/06
Massey Ferguson	


Forged Steel

DM 2




Laverda	322702550
John Deere	AH143573
Deutz Fahr	
Agco	71386905/06
Sch	410300041
Sch	10701.01
Massey Ferguson	

DM 3




New Holand	80379720
------------	----------

DM 4




New Holland	80916328
-------------	----------

DM 5




Laverda	321115050
---------	-----------

DM 6



Laverda	301896130
---------	-----------

DM 7



John Deere	Z11228
John Deere	H61954

DM 11



Deutz Fahr	111306023600 (06236756)
------------	----------------------------



DENTI PER MIETITREBBIA - GUARDS FOR HARVESTER
MÄHFINGER FÜR MAHDRESCHER - DOIGTS POUR MOISSONNEUSES BATTEUSE
DEDO COSECHADORA


Codice

Adattabili a:

Codice

Adattabili a:

DM 12		Claas 676235 Claas LEXION 626295
--------------	---	-------------------------------------

DM 13		Massey Ferguson 609993M91
--------------	--	---------------------------


DENTI PER FALCIATRICI - GUARDS FOR MOWER
MÄHFINGER FÜR MAHMASCHINEN - DOIGTS POUR FAUCHEUSES
DEDOS PARA SEGADORAS


Code

Adaptable to:

Code

Adaptable to:

DF 1		Semifitto BCS 59027624
-------------	---	---------------------------

DF 2		Fitto BCS 59027622
-------------	--	-----------------------

DF 3		Gaspardo 21120066 (f.5,5) Gaspardo 21120268 (f.6,25) G&S Superior
-------------	---	---

DF 4		Smontabile Gaspardo 13013270 G&S Superior
-------------	--	---

DF 7		New Holland 257635 Hesston 049312
-------------	---	--------------------------------------

--	--	--



SPECIAL KNIVES

Thanks to more than seventy years of experience in the cutting systems field, Stella studies and designs several types of high performance special blades.

In its plants Stella manufactures many kind of blades that are mounted in different industrial applications.

The Engineering dept. of Stella works directly with the technical departments of several Italian and international companies in order to achieve the highest quality of product for many uses: agriculture, gardening, viticulture, recycling.


The performance and the customers satisfaction for Stella come first.





STELLA srl
Via Badia 30
25060 Cellatica (Brescia)
Italia
Phone +39 030 3732311
Fax. +39 030 3738393
stella@stellalame.com

www.stellalame.com

 made in Italy