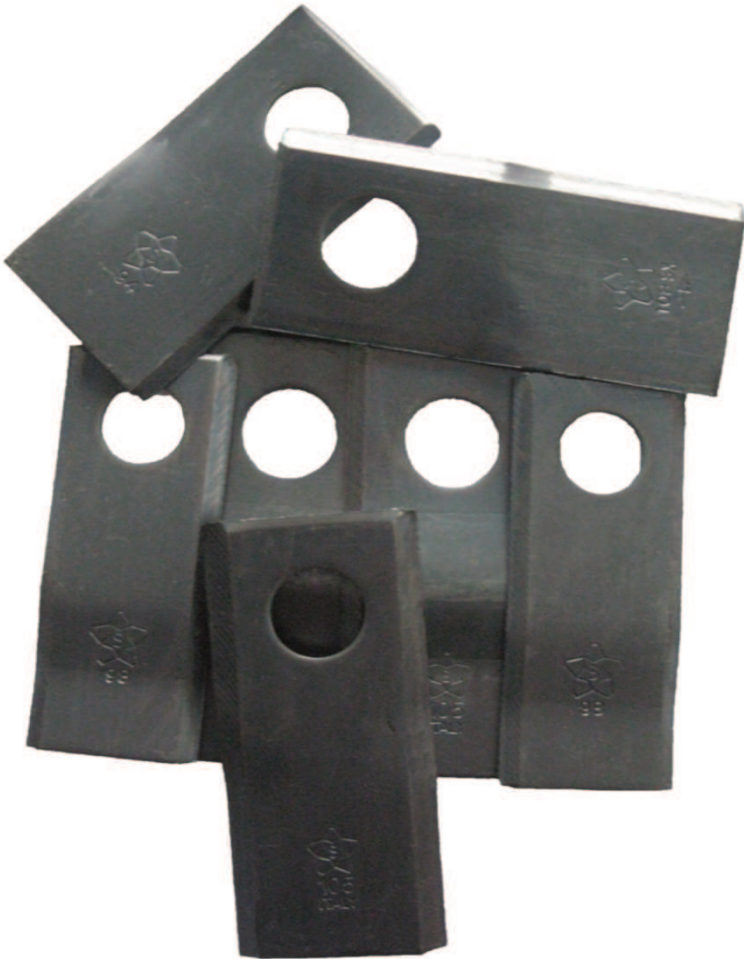


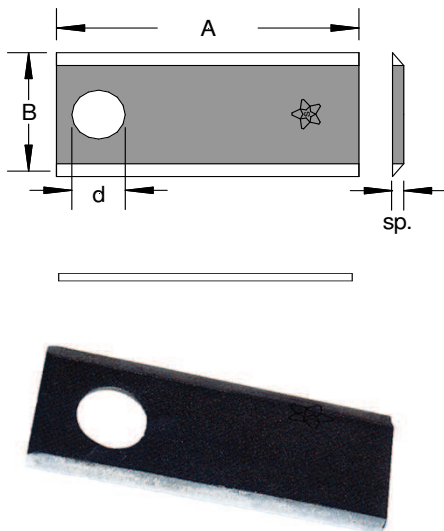
ROTARY MOWER KNIVES

www.stellalame.com



COLTELLI PER FALCIATRICI ROTATIVE - ROTARY MOWER KNIVES
ROTOR KLINGEN - COTEAUX DE FAUCHEUSES ROTATIVES
CUCHILLAS PARA SEGADORAS ROTATIVAS - НОЖИ ДЛЯ РОТОРНОЙ КОСИЛКИ

DIRITTO - STRAIGHT
GERADE - DROIT - DERECHO - Прямой

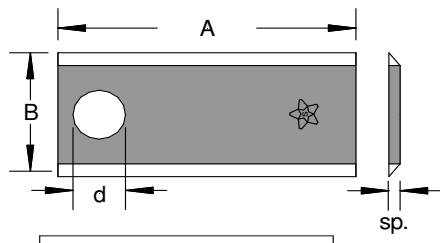


STELLA CODE					APPLICATION	ADAPTABLE TO ORG
	A	B	d	sp.		
D	83	40	19	3	FAHR KRONE KRONE	1.1019.010.282.00 1431490 1372 242 7
D	88	40	19	3	CLAAS FAHR FAHR FELLA GARNIER KRONE KRONE LINCE NIEMEYER PÖTTINGER RS WELGER ZWEEGERS	977.516.0 0653 1543 1-1019-010-271.20/88 477 741 4460101001 141071.0 143149.3 088 D 11.065 434992 15 01 331 0982.1501.00 MT 52
D	90	40	19	3	CLAAS FAHR FAHR (NEW) FELLA IHC IHC KRONE NIEMEYER NIEMEYER PÖTTINGER RASSPE RASSPE WELGER ZWEEGERS	977 516.0 1-1019-010-271.20/90 0656 1543 477 741 1133937 R1 3101549 R1 143 149 4 570 400 11.065 434992 1.501.331 80-10-46 0982.15.01.00 MT 52S
D	94	40	19	3	CLAAS FAHR FAHR (NEW) FARENDLOSE NIEMEYER RASSPE	978 186.0 1-1012-030-115.00 0656 1542 00.0114.054 11.079 RS 20.01.331
D	94	40	16,25	3	KUHN NEW HOLLAND NEW HOLLAND	561.500.00 549 757 274 230



COLTELLI PER FALCIATRICI ROTATIVE - ROTARY MOWER KNIVES
ROTOR KLINGEN - COTEAUX DE FAUCHEUSES ROTATIVES
CUCHILLAS PARA SEGADORAS ROTATIVAS - НОЖИ ДЛЯ РОТОРНОЙ КОСИЛКИ

DIRITTO - STRAIGHT
GERADE - DROIT - DERECHO - Прямой

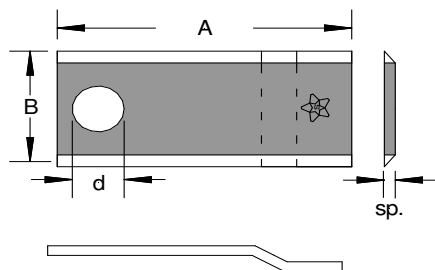


STELLA CODE					APPLICATION	ADAPTABLE TO ORG
	A	B	d	sp.		
D	96	40	19	3	CASE CLAAS FARENDLOSE FAHR (NEW) FAHR FELLA FELLA IHC IHC (JI CASE) KRONE NIEMEYER PÖTTINGER PÖTTINGER PZ MT WELGER	113 3941 R1 978 241.4 00-011-054 0656 1542 1.1012.030.115.00 477 740 116 954 3101547 R1 1133936 R1 143698.0 570 404 434 991 700 06 165 0 452 S 09821506.00
D	98	40	19	3	BCS FAHR FARENDLOSE FORT GALFRE' MARANGON MORRA	580.29045.4 671 36/49 00.011.069 98D 98D 98D 98D
D	100	40	19	3	BCS FAHR	580 29045
D	108	40	19	3	MORRA	108/D
D	96	48	21	3	SIP	152 147 607
D	100	48	19	3		
D	100	48	21	3		
D	105	48	21	3	HAGEDORN SIP ZWEEGERS	1 4 7040 151019702 CM15
D	108	48	21	3	BELLON BELLON GALFRE' MORRA MARANGON NEW HOLLAND PZ	1803364 108D 108D 108D 108D 495 806 CM15 = 108D
D	108	48	19	3	GALFRE'	108D/19
D	96	40	19	4	CLAAS CLAAS JF FREUDENDAHL FELLA FELLA	949 240.0 949 240 .1 130-0025 477 762 116 956
D	108	40	19	4	GALFRE'	108D/19
D	102	45	16,5	4		
D	123	45	18,2	4	KUHN	564.512.10
D	105	48	19	4	FELLA	122.331
D	108	48	19	4	FORTSCHRITT	0310 4179 504



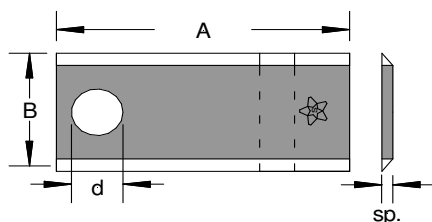
COLTELLI PER FALCIATRICI ROTATIVE - ROTARY MOWER KNIVES
ROTOR KLINGEN - COTEAUX DE FAUCHEUSES ROTATIVES
CUCHILLAS PARA SEGADORAS ROTATIVAS - НОЖИ ДЛЯ РОТОРНОЙ КОСИЛКИ

PIEGATO NORMALE - NORMAL BENDED
NORMAL GEBOGEN - PLIE' NORMALE - DOBLADA
Изогнутый



STELLA CODE					APPLICATION	ADAPTABLE TO ORG
	A	B	d	sp.		
PN	88	40	19	3	LINCE SUPERTINO	90P 88 P
PN	90	40	19	3	LINCE	90/P
PN	94	40	19	3	BELLON FAHR MORRA MARANGON	1-1017-010-153.22 94 P
PN	96	40	19	3	FAHR FAHR (NEW) FELLA FELLA IHC PÖTTINGER ZWEEGERS	1-1017-010-153.00 0656 1541 478 962 = 478.963 124 243 1133938R1 434993 TT97
PN	98	40	19	3	FARENDLOSE FELLA FORT FAHR GALFRE' MARANGON MORRA	00-11-07 124243 98P 98P 98P 98P
PN	108	40	19	3		
PN	105	48	21	3		
PN	108	48	19	3	GALFRE' BELLON GALFRE' NEW HOLLAND	108P 1803365 108P 495 807
			21			

PIEGATO FORTE - STRONG BENDED
STARK GEBOGEN - FORT PLIE' - DOBLADA FUERTE
Сильно изогнутый

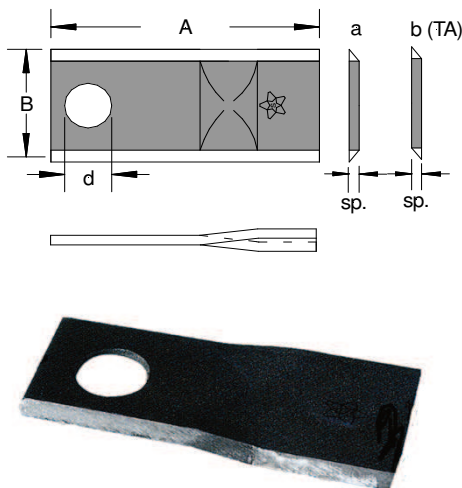


STELLA CODE					APPLICATION	ADAPTABLE TO ORG
	A	B	d	sp.		
PF	96	40	19	3	SUPERTINO P.F.	
PF	98	40	19	3		
PF	108	50	17	4	MAXAM	



COLTELLI PER FALCIATRICI ROTATIVE - ROTARY MOWER KNIVES
ROTOR KLINGEN - COTEAUX DE FAUCHEUSES ROTATIVES
CUCHILLAS PARA SEGADORAS ROTATIVAS - НОЖИ ДЛЯ РОТОРНОЙ КОСИЛКИ

ELICOIDALE - HELICOIDAL
SCHRAUBENFORMIG - HELICOIDAL - Винтовой

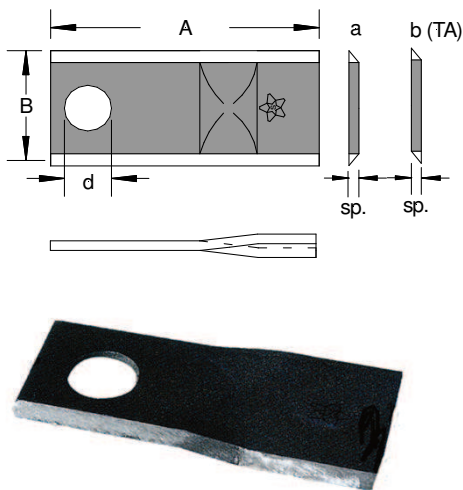


STELLA CODE						APPLICATION	ADAPTABLE TO ORG	SIDE
EL	A	B	d	sp.				
EL	88	40	16,25	3	a	KUHN	561.510.00	LH
						KUHN	561.511.00	RH
EL	90	40	19	3	b	WELGER	0982.15.08.00	LH
						WELGER	0982.15.09.00	RH
EL	93	40	16,25	3	a	CASE	113 3939	LH
						CASE	113 3940	RH
						GASPARDO	513	LH
						GASPARDO	512	RH
						IHC (JI CASE)	1133939R1	LH
						IHC (JI CASE)	1133940R1	RH
						IHC (JI CASE)	3160419R1	LH
						IHC (JI CASE)	3160420R1	RH
						JOHN DEERE	CC 19 336	LH
						JOHN DEERE	CC 19 333	RH
						KUHN	561.512.00	LH
						KUHN	561.513.00	RH
						NEW HOLLAND	274 096	LH
						NEW HOLLAND	274 097	RH
EL	94	40	19	3	b	KRONE	147 419 5	LH
						KRONE	147 302 5	RH
						NEW HOLLAND	402 244	LH
						NEW HOLLAND	402 243	RH
EL	96	40	19	3	a	FAHR	1.1603.010.197.00	LH
						FAHR	1.1603.010.198.00	RH
						FAHR	0656 1547	LH
						FAHR	0656 1546	RH
						FAHR	1650 2727	LH
						FAHR	1650 2726	RH
						PÖTTINGER	434 996	LH
						PÖTTINGER	434 995	RH
EL	100	40	19	3	b	BCS	58029096	LH
						BCS	58029095	RH
						GRIBALDI & SALVIA	26013/S	LH
						GRIBALDI & SALVIA	26013/D	RH
EL	93	48	19	3	b	KRONE	151 386 0	LH
						KRONE	151 385 0	RH
						KRONE	145 869 1	LH
						KRONE	145 868 1	RH



COLTELLI PER FALCIATRICI ROTATIVE - ROTARY MOWER KNIVES
ROTOR KLINGEN - COTEAUX DE FAUCHEUSES ROTATIVES
CUCHILLAS PARA SEGADORAS ROTATIVAS - НОЖИ ДЛЯ РОТОРНОЙ КОСИЛКИ

ELICOIDALE - HELICOIDAL
SCHRAUBENFORMIG - HELICOIDAL - Винтовой

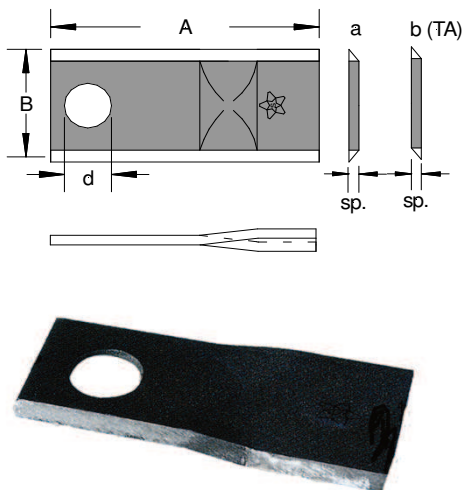


STELLA CODE						APPLICATION	ADAPTABLE TO ORG	SIDE
	A	B	d	sp.				
EL	94	48	19	3	b	CLAAS	104.339.0	LH
						CLAAS	104.340.0	RH
						KRONE	151386.0	LH
						KRONE	151385.0	RH
						NIEMEYER	570 409	LH
						NIEMEYER	570 410	RH
EL	100	48	19	3	b	ZWEEGERS	TF 70	LH
						ZWEEGERS	TF 71	RH
						FELLA	121 692	LH
						FELLA	121 693	RH
						CLAAS	952 729.0	LH
						CLAAS	952 728.0	RH
EL	105	48	19	3	b	CLAAS	904.178.6	LH
						CLAAS	904.177.6	RH
						CLAAS	904.178.7	LH
						CLAAS	904.177.7	RH
						CLAAS	904.797.0	LH
						CLAAS	904.796.0	RH
			FORTSCRITT			0301 1680	LH	
			FORTSCRITT			0301 1697	RH	
			NIEMEYER			570 413	LH	
			NIEMEYER			570 414	RH	
			NIEMEYER			570 419	LH	
			NIEMEYER			570 418	RH	
EL	107	48	19	3	b	PÖTTINGER	434983	LH
						PÖTTINGER	434984	RH
						CLAAS	904 178.8	RH
			21			ZWEEGERS	DN 382	LH
						ZWEEGERS	DN 383	RH
						CLAAS	104 266.0	LH
CLAAS	104 267.0	RH						
EL	108	48	19/21	3	a	KVERNELAND	CM 137	LH
						KVERNELAND	CM 138	RH
EL	110	48	21	3	a	ZWEEGERS	CM 137	LH
						ZWEEGERS	CM 138	RH
EL	110	48	21	3	b	COMER	4047015	LH
						COMER	4047016	RH
EL	108	40	19/21	4	b	GALFRE'	108 EL	LH
						GALFRE'	108 EL	RH
EL	110	48	21	3	a	CLAAS	105 878.0	LH
						CLAAS	105 873.0	RH
EL	110	48	21	3	b	COMER	0404 7016	LH
						COMER	0404 7015	RH
EL	108	40	19/21	4	b	GALFRE'		LH
						GALFRE'		RH
EL	94	48	19	4	b	BCS	58.031.193	LH
						BCS	58.031.192	RH



COLTELLI PER FALCIATRICI ROTATIVE - ROTARY MOWER KNIVES
ROTOR KLINGEN - COTEAUX DE FAUCHEUSES ROTATIVES
UCHILLAS PARA SEGADORAS ROTATIVAS - НОЖИ ДЛЯ РОТОРНОЙ КОСИЛКИ

ELICOIDALE - HELICOIDAL
SCHRAUBENFORMIG - HELICOIDAL - Винтовой

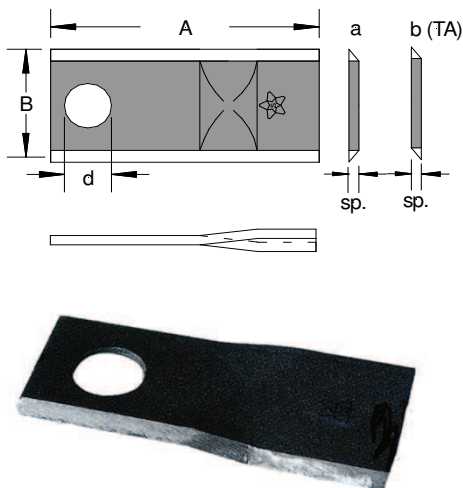


STELLA CODE						APPLICATION	ADAPTABLE TO ORG	SIDE
	A	B	d	sp.				
EL	94	48	19	4	b	KVERNELAND	TA 321	LH
						KVERNELAND	TA 322	RH
						PZ / ZWEEGERS	TA-321	LH
						PZ / ZWEEGERS	TA-322	RH
EL	96	48	19	4	b	FAHR	1650 3465	LH
						FAHR	1650 3464	RH
						FAHR	1650 3460	LH
						FAHR	1650 3658	RH
						KRONE	146 690 1	LH
						KRONE	146 691 1	RH
EL	98	48	19	4	b	BCS	58.036.091	LH
						BCS	58.036.090	RH
						FELLA	121 712	LH
						FELLA	121 713	RH
						GRIBALDI & SALVIA	121713/SP	LH
						GRIBALDI & SALVIA	121712/SP	RH
						PÖTTINGER	434 981	LH
						PÖTTINGER	434 982	RH
						SIP	153 171 311	LH
						SIP	153 171 419	RH
EL	100	48	19	4	b	GRIBALDI & SALVIA	46292	LH
						GRIBALDI & SALVIA	46291	RH
						FORTSCHRITT	0300 3350	LH
						FORTSCHRITT	0300 3367	RH
						PÖTTINGER	434 973	LH
						PÖTTINGER	434 974	RH
			21			PÖTTINGER	434 977	LH
						PÖTTINGER	434 978	RH
						MARANGON	980 204.171	LH
						MARANGON	980 204.170	RH
						MARANGON	MEL 100	LH
						MARANGON	MER 100	RH
EL	102	48	19	4	b	FELLA	140 693	LH
						FELLA	140 692	RH
EL	105	48	21	4	b	MARANGON	105	LH
						MARANGON	105	RH
					a	SITREX	110.119	LH
						SITREX	110.118	RH
EL	105	48	20,5x23	4	b	VICON	KT5514100001	SX
						VICON	KT5514200001	DX
EL	106	48	19	4	b	SIP	153 967 201	LH
						SIP	153 967 103	RH
						SIP	950 008 609	LH
						SIP	950 008 707	RH
						SIP	950 009 001	LH
						SIP	950 009 109	RH
						NIEMEYER	570 445	LH
						NIEMEYER	570 444	RH
						FELLA	122 329	LH
						FELLA	122 330	RH



COLTELLI PER FALCIATRICI ROTATIVE - ROTARY MOWER KNIVES
ROTOR KLINGEN - COTEAUX DE FAUCHEUSES ROTATIVES
CUCHILLAS PARA SEGADORAS ROTATIVAS - НОЖИ ДЛЯ РОТОРНОЙ КОСИЛКИ

ELICOIDALE - HELICOIDAL
SCHRAUBENFORMIG - HELICOIDAL - Винтовой

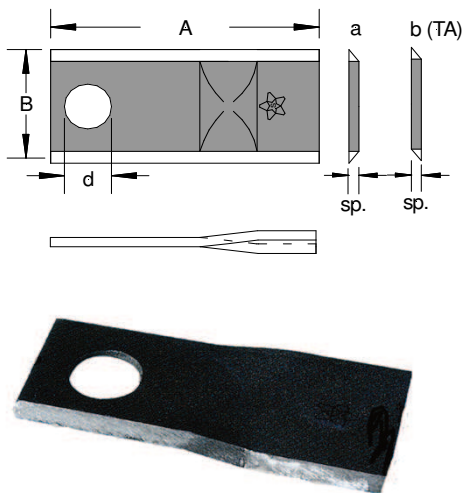


STELLA CODE						APPLICATION	ADAPTABLE TO ORG	SIDE
	A	B	d	sp.				
EL	107	48	18,5	4	b	KVERNELAND	B 087 5002	LH
						KVERNELAND	B 087 5001	RH
						HESSTON	700.711.858	LH
						HESSTON	700.711.857	RH
						HESSTON	700.715.576	LH
			HESSTON			700.715.575	RH	
			VICON			902 61559	LH	
			VICON			902 61560	RH	
			COMER			04047015/4	LH	
			COMER			04047016/4	RH	
EL	108	48	19	4	b	GALFRE'	434 985	LH
						GALFRE'	434 986	RH
						PÖTTINGER	434 985	LH
						PÖTTINGER	434 986	RH
						FORTSCRITT	0301 5161	LH
						FORTSCRITT	0301 5145	RH
			NIEMEYER			570 679 - 570 683	LH	
			NIEMEYER			570 680 - 570 684	RH	
			GRIBALDI & SALVIA			46362	LH	
			GRIBALDI & SALVIA			46363	RH	
			PÖTTINGER			434 971	LH	
			PÖTTINGER			434 972	RH	
EL	110	48	21	4	b	MARANGON	110 MEL	LH
						MARANGON	110 MER	RH
			COMER				LH	
			COMER				RH	
EL	112	48	19	4	b	KRONE	139 888 0	LH
						KRONE	139 889 0	RH
						FELLA	123 706	LH
						FELLA	123 707	RH
						FELLA	131 117	LH
						FELLA	131 118	RH
			FELLA			134 309	LH	
			FELLA			134 308	RH	
			STOLL			1122350	LH	
			STOLL			1122360	RH	
EL	115	48	19	4	b	J.F.	1380-0015	LH
						J.F.	1380-0014	RH
EL	115	48	19	4	b	PÖTTINGER	434 969	LH
						PÖTTINGER	434 970	RH
EL	115	48	19	4	b	CLAAS	952.043.0	LH
						CLAAS	952.042.0	RH



COLTELLI PER FALCIATRICI ROTATIVE - ROTARY MOWER KNIVES
ROTOR KLINGEN - COTEAUX DE FAUCHEUSES ROTATIVES
CUCHILLAS PARA SEGADORAS ROTATIVAS - НОЖИ ДЛЯ РОТОРНОЙ КОСИЛКИ

ELICOIDALE - HELICOIDAL
SCHRAUBENFORMIG - HELICOIDAL - Винтовой

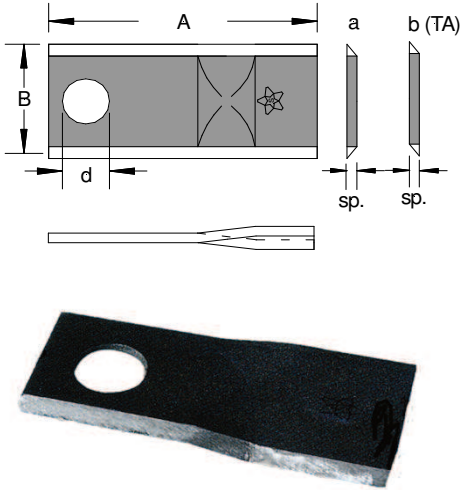


STELLA CODE						APPLICATION	ADAPTABLE TO ORG	SIDE
	A	B	d	sp.				
EL	120	48	18,5	4	b	FELLA	111 724	LH
						FELLA	111 725	RH
						FELLA	478 640	LH
						FELLA	478 641	RH
						JOHN DEERE	CC 21780	LH
						JOHN DEERE	CC 21781	RH
						KVERNELAND	B 191 9802	LH
						KVERNELAND	B 191 9902	RH
						LELY	4.1201.1473.0	LH
						LELY	4.1201.1474.0	RH
						LELY	9.1127.0003.2	LH
						LELY	9.1127.0004.3	RH
						NEW IDEA	526 216	LH
						NEW IDEA	526 215	RH
						NEW HOLLAND	444 266	LH
						NEW HOLLAND	444 267	RH
NEW HOLLAND	784 220	LH						
NEW HOLLAND	784 221	RH						
PÖTTINGER	434 988	LH						
PÖTTINGER	434 989	RH						
VICON	58 699 = 90258699	LH						
VICON	58 700 = 90258700	RH						
EL	95	45	16,25	3,5	a	JOHN DEERE	CC 20 500 = 19336	LH
						JOHN DEERE	CC 20 501 = 19333	RH
						KUHN	561.512.10	LH
						KUHN	561.513.10	RH
NEW HOLLAND	766 726	LH						
NEW HOLLAND	766 727	RH						
EL	98	45	16,25	3,5	a	FORT	4049 0006	LH
						FORT	4049 0005	RH
						MORRA		LH
						MORRA		RH
EL	107	45	21	4	a	BELLON	183 2532	LH
						BELLON	183 2533	RH
						BELLON	559 032 010 /21	LH
						BELLON	559 033 010 /21	RH
ENOROSSI	12881270	LH						
ENOROSSI	12881271	RH						
EL	107	45	18,25	4	a	FORT	40490006	LH
						FORT	49490005	RH
						JOHN DEERE	CC 26 780	LH
						JOHN DEERE	CC 26 781	RH
						KUHN	559.032.10	LH
						KUHN	559.033.10	RH
NEW HOLLAND	853 819	LH						
NEW HOLLAND	853 820	RH						
EL	112	45	21	4	b	ENOROSSI	12881434 - 18034173	LH
						ENOROSSI	12881435 - 18034193	RH



COLTELLI PER FALCIATRICI ROTATIVE - ROTARY MOWER KNIVES
ROTOR KLINGEN - COTEAUX DE FAUCHEUSES ROTATIVES
CUCHILLAS PARA SEGADORAS ROTATIVAS - НОЖИ ДЛЯ РОТОРНОЙ КОСИЛКИ

ELICOIDALE - HELICOIDAL
SCHRAUBENFORMIG - HELICOIDAL - Винтовой



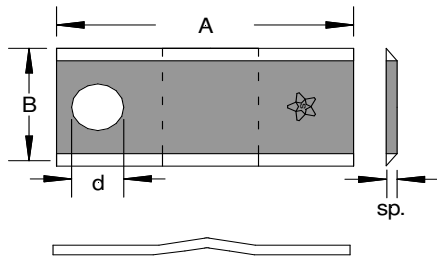
STELLA CODE						APPLICATION	ADAPTABLE TO ORG	SIDE
	A	B	d	sp.				
EL	116	45	18,25	4	a	JOHN DEERE	CC 23 488	LH
						JOHN DEERE	CC 23 499	RH
						KUHN	559.060.00	LH
						KUHN	559.061.00	RH
						NEW HOLLAND	785 608	LH
						NEW HOLLAND	785 609	RH
EL	123	45	18,25	4	a	CLAAS	104 555.0	LH
						CLAAS	104 556.0	RH
						JOHN DEERE	CC 21 780	LH
						JOHN DEERE	CC 21 781	RH
						KUHN	564.512.00	LH
						KUHN	564.513.00	RH
						NEW HOLLAND	784 220	LH
						NEW HOLLAND	784 221	RH
EL	126	48	20,5x23	4	b	KVERNELAND	56110900	LH
						KVERNELAND	56110400	RH
						KVERNELAND	56781000	LH
						KVERNELAND	56782000	RH
						KUHN	56110900	LH
						KUHN	56110400	RH
						KUBOTA	KT 5611090001	LH
						KUBOTA	KT 5611040001	RH
EL	128	48	21	4	b	CNH	1380-0011	LH
						CNH	1380-0010	RH
EL	129	48	21	4	b	MARANGON	980 204.183	LH
						MARANGON	980 204.184	RH
						MARANGON	MEL 129	LH
						MARANGON	MER 129	RH
EL	105	49	21	4	TA	SAMASZ	025.05.57.00	LH
						SAMASZ	025.05.58.00	RH
EL	109	50	21	4	TA	MC HALE	CKN 00043	LH
						MC HALE	CKN 00042	RH
EL	110	50	22,75	4	b	NEW HOLLAND	9847683	LH
						NEW HOLLAND	9847684	RH
EL	120	50	22,75	4	b	NEW IDEA / BUSH HOG	527749	LH
						NEW IDEA / BUSH HOG	527748	RH
EL	176	50	20,5	4	b	BCS	56419369	LH
						BCS	56419783	RH
EL	94	49	23	3	b	MÖRTL	T/673L	LH
						MÖRTL	T/673R	RH



COLTELLI PER FALCIATRICI ROTATIVE - ROTARY MOWER KNIVES
ROTOR KLINGEN - COTEAUX DE FAUCHEUSES ROTATIVES
CUCHILLAS PARA SEGADORAS ROTATIVAS - НОЖИ ДЛЯ РОТОРНОЙ КОСИЛКИ

PIEGATO PZ - BENDED PZ

GEBOGEN PZ - PLIE' PZ - DOBLADA PZ - Изогнутый PZ



STELLA CODE					APPLICATION	ADAPTABLE TO ORG
	A	B	d	sp.		
PZ	105	48	21	3	BELLON PZ CM PÖTTINGER CLAAS KRONE RZS RZS ZWEEGERS KUHN GREENLAND	105 PZ 120.105 434 120 104 004.1 143 237 0 165 419500310 CM 120 Z1100020 CM 120
PZ	108	48	21	3	BELLON MARANGON NEW HOLLAND ZWEEGERS PZ	108 PZ CM120-108 495.807 CM 120/108
PZ	108	48	21	4	MARANGON	



COLTELLI PER FALCIATRICI ROTATIVE - ROTARY MOWER KNIVES
ROTOR KLINGEN - COTEAUX DE FAUCHEUSES ROTATIVES
CUCHILLAS PARA SEGADORAS ROTATIVAS - НОЖИ ДЛЯ РОТОРНОЙ КОСИЛКИ

