

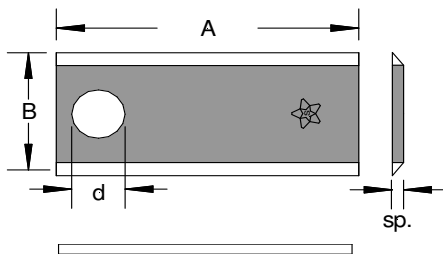
COLTELLI PER FALCIATRICI ROTATIVE

www.stellalame.com



COLTELLI PER FALCIATRICI ROTATIVE - ROTARY MOWER KNIVES
ROTOR KLINGEN - COTEAUX DE FAUCHEUSES ROTATIVES
CUCHILLAS PARA SEGADORAS ROTATIVAS - НОЖИ ДЛЯ РОТОРНОЙ КОСИЛКИ

DIRITTO - STRAIGHT
GERADE - DROIT - DERECHO - Прямой

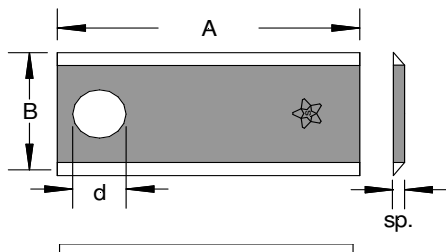


CODICE STELLA					APPLICAZIONE	ADATTABILI A ORG
	A	B	d	sp.		
D	83	40	19	3	FAHR KRUNE KRUNE	1.1019.010.282.00 1431490 1372 242 7
D	88	40	19	3	CLAAS FAHR FAHR FELLA GARNIER KRUNE KRUNE LINCE NIEMEYER PÖTTINGER RS WELGER ZWEEGERS	977.516.0 0653 1543 1-1019-010-271.20/88 477 741 4460101001 141071.0 143149.3 088 D 11.065 434992 15 01 331 0982.1501.00 MT 52
D	90	40	19	3	CLAAS FAHR FAHR (NEW) FELLA IHC IHC KRUNE NIEMEYER NIEMEYER PÖTTINGER RASSPE RASSPE WELGER ZWEEGERS	977 516.0 1-1019-010-271.20/90 0656 1543 477 741 1133937 R1 3101549 R1 143 149 4 570 400 11.065 434992 1.501.331 80-10-46 0982.15.01.00 MT 52S
D	94	40	19	3	CLAAS FAHR FAHR (NEW) FARENDLOSE NIEMEYER RASSPE	978 186.0 1-1012-030-115.00 0656 1542 00.0114.054 11.079 RS 20.01.331
D	94	40	16,25	3	KUHN NEW HOLLAND NEW HOLLAND	561.500.00 549 757 274 230



COLTELLI PER FALCIATRICI ROTATIVE - ROTARY MOWER KNIVES
ROTOR KLINGEN - COTEAUX DE FAUCHEUSES ROTATIVES
CUCHILLAS PARA SEGADORAS ROTATIVAS - НОЖИ ДЛЯ РОТОРНОЙ КОСИЛКИ

DIRITTO - STRAIGHT
GERADE - DROIT - DERECHO - Прямой

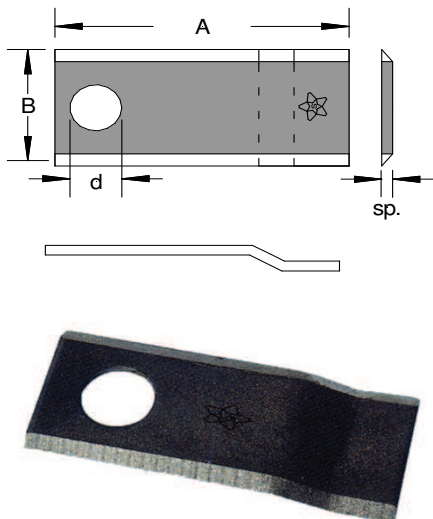


CODICE STELLA					APPLICAZIONE	ADATTABILI A ORG
	A	B	d	sp.		
D	96	40	19	3	CASE CLAAS FARENDLOSE FAHR (NEW) FAHR FELLA FELLA IHC IHC (JI CASE) KRONE NIEMEYER PÖTTINGER PÖTTINGER PZ MT WELGER	113 3941 R1 978 241.4 00-011-054 0656 1542 1.1012.030.115.00 477 740 116 954 3101547 R1 1133936 R1 143698.0 570 404 434 991 700 06 165 0 452 S 09821506.00
D	98	40	19	3	BCS FAHR FARENDLOSE FORT GALFRE' MARANGON MORRA	580.29045.4 671 36/49 00.011.069 98D 98D 98D 98D
D	100	40	19	3	BCS FAHR	580 29045
D	108	40	19	3	MORRA	108/D
D	96	48	21	3	SIP	152 147 607
D	100	48	19	3		
D	100	48	21	3		
D	105	48	21	3	HAGEDORN SIP ZWEEGERS	1 4 7040 151019702 CM15
D	108	48	21	3	BELLON BELLON GALFRE' MORRA MARANGON NEW HOLLAND PZ	1803364 108D 108D 108D 108D 495 806 CM15 = 108D
D	108	48	19	3	GALFRE'	108D/19
D	96	40	19	4	CLAAS CLAAS JF FREUDENDAHL FELLA FELLA	949 240.0 949 240 .1 130-0025 477 762 116 956
D	108	40	19	4	GALFRE'	108D/19
D	102	45	16,5	4		
D	123	45	18,2	4	KUHN	564.512.10
D	105	48	19	4	FELLA	122.331
D	108	48	19	4	FORTSCHRITT	0310 4179 504



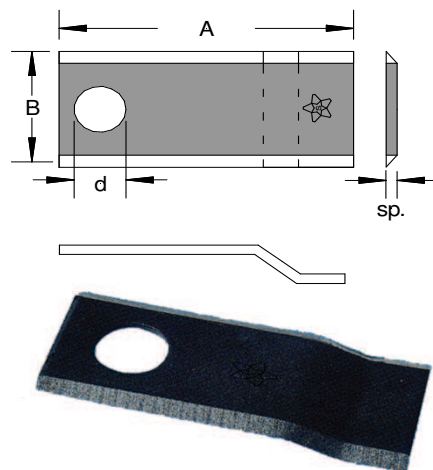
COLTELLI PER FALCIATRICI ROTATIVE - ROTARY MOWER KNIVES
ROTOR KLINGEN - COTEAUX DE FAUCHEUSES ROTATIVES
CUCHILLAS PARA SEGADORAS ROTATIVAS - НОЖИ ДЛЯ РОТОРНОЙ КОСИЛКИ

PIEGATO NORMALE - NORMAL BENDED
NORMAL GEBOGEN - PLIE' NORMALE - DOBLADA
Изогнутый



CODICE STELLA					APPLICAZIONE	ADATTABILI A ORG
	A	B	d	sp.		
PN	88	40	19	3	LINCE SUPERTINO	90P 88 P
PN	90	40	19	3	LINCE	90/P
PN	94	40	19	3	BELLON FAHR MORRA MARANGON	1-1017-010-153.22 94 P
PN	96	40	19	3	FAHR FAHR (NEW) FELLA FELLA IHC PÖTTINGER ZWEEGERS	1-1017-010-153.00 0656 1541 478 962 = 478.963 124 243 1133938R1 434993 TT97
PN	98	40	19	3	FARENDLOSE FELLA FORT FAHR GALFRE' MARANGON MORRA	00-11-07 124243 98P 98P 98P 98P
PN	108	40	19	3		
PN	105	48	21	3		
PN	108	48	19	3	GALFRE' BELLON GALFRE' NEW HOLLAND	108P 1803365 108P 495 807
			21			

PIEGATO FORTE - STRONG BENDED
STARK GEBOGEN - FORT PLIE' - DOBLADA FUERTE
Сильно изогнутый

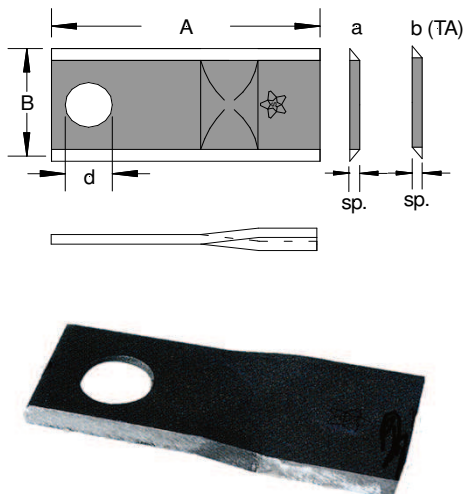


CODICE STELLA					APPLICAZIONE	ADATTABILI A ORG
	A	B	d	sp.		
PF	96	40	19	3	SUPERTINO P.F.	
PF	98	40	19	3		
PF	108	50	17	4	MAXAM	



COLTELLI PER FALCIATRICI ROTATIVE - ROTARY MOWER KNIVES
ROTOR KLINGEN - COTEAUX DE FAUCHEUSES ROTATIVES
CUCHILLAS PARA SEGADORAS ROTATIVAS - НОЖИ ДЛЯ РОТОРНОЙ КОСИЛКИ

ELICOIDALE - HELICOIDAL
SCHRAUBENFORMIG - HELICOIDAL - Винтовой

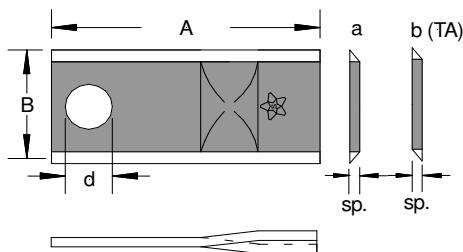


CODICE STELLA						APPLICAZIONE	ADATTABILI A ORG	LATO
EL	A	B	d	sp.				
EL 88	88	40	16,25	3	a	KUHN	561.510.00	SX
						KUHN	561.511.00	DX
EL 90	90	40	19	3	b	WELGER	0982.15.08.00	SX
						WELGER	0982.15.09.00	DX
EL 93	93	40	16,25	3	a	CASE	113 3939	SX
						CASE	113 3940	DX
						GASPARDO	513	SX
						GASPARDO	512	DX
						IHC (JI CASE)	1133939R1	SX
						IHC (JI CASE)	1133940R1	DX
						IHC (JI CASE)	3160419R1	SX
						IHC (JI CASE)	3160420R1	DX
						JOHN DEERE	CC 19 336	SX
						JOHN DEERE	CC 19 333	DX
						KUHN	561.512.00	SX
						KUHN	561.513.00	DX
						NEW HOLLAND	274 096	SX
						NEW HOLLAND	274 097	DX
EL 94	94	40	19	3	b	KRONE	147 419 5	SX
						KRONE	147 302 5	DX
						NEW HOLLAND	402 244	SX
						NEW HOLLAND	402 243	DX
EL 96	96	40	19	3	a	FAHR	1.1603.010.197.00	SX
						FAHR	1.1603.010.198.00	DX
						FAHR	0656 1547	SX
						FAHR	0656 1546	DX
						FAHR	1650 2727	SX
						FAHR	1650 2726	DX
						PÖTTINGER	434 996	SX
						PÖTTINGER	434 995	DX
EL 100	100	40	19	3	b	BCS	58029096	SX
						BCS	58029095	DX
						GRIBALDI & SALVIA	26013/S	SX
						GRIBALDI & SALVIA	26013/D	DX
EL 93	93	48	19	3	b	KRONE	151 386 0	SX
						KRONE	151 385 0	DX
						KRONE	145 869 1	SX
						KRONE	145 868 1	DX



COLTELLI PER FALCIATRICI ROTATIVE - ROTARY MOWER KNIVES
ROTOR KLINGEN - COTEAUX DE FAUCHEUSES ROTATIVES
CUCHILLAS PARA SEGADORAS ROTATIVAS - НОЖИ ДЛЯ РОТОРНОЙ КОСИЛКИ

ELICOIDALE - HELICOIDAL
SCHRAUBENFORMIG - HELICOIDAL - Винтовой

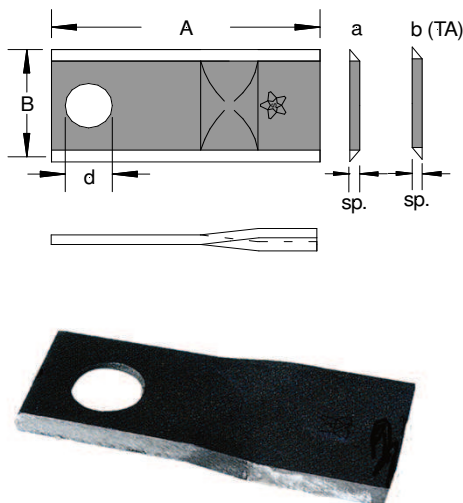


CODICE STELLA						APPLICAZIONE	ADATTABILI A ORG	LATO
	A	B	d	sp.				
EL	94	48	19	3	b	CLAAS	104.339.0	SX
						CLAAS	104.340.0	DX
						KRONE	151386.0	SX
						KRONE	151385.0	DX
						NIEMEYER	570 409	SX
						NIEMEYER	570 410	DX
EL	100	48	19	3	b	ZWEEGERS	TF 70	SX
						ZWEEGERS	TF 71	DX
						FELLA	121 692	SX
						FELLA	121 693	DX
						CLAAS	952 729.0	SX
						CLAAS	952 728.0	DX
EL	105	48	19	3	b	CLAAS	904.178.6	SX
						CLAAS	904.177.6	DX
						CLAAS	904.178.7	SX
						CLAAS	904.177.7	DX
						CLAAS	904.797.0	SX
						CLAAS	904.796.0	DX
		FORTSCRITT	0301 1680			SX		
		FORTSCRITT	0301 1697			DX		
		NIEMEYER	570 413			SX		
		NIEMEYER	570 414			DX		
		NIEMEYER	570 419			SX		
		NIEMEYER	570 418			DX		
EL	108	48	19	3	b	PÖTTINGER	434983	SX
						PÖTTINGER	434984	DX
						CLAAS	904 178.8	SX
			CLAAS			904 177.8	DX	
			ZWEEGERS			DN 382	SX	
			ZWEEGERS			DN 383	DX	
EL	110	48	21	3	a	CLAAS	104 266.0	SX
						CLAAS	104 267.0	DX
EL	110	48	21	3	b	KVERNELAND	CM 137	SX
						KVERNELAND	CM 138	DX
EL	108	40	19/21	4	b	ZWEEGERS	CM 137	SX
						ZWEEGERS	CM 138	DX
EL	108	48	19/21	3	a	GALFRE'	108 EL	SX
						GALFRE'	108 EL	DX
EL	110	48	21	3	a	CLAAS	105 878.0	SX
						CLAAS	105 873.0	DX
EL	110	48	21	3	b	COMER	0404 7016	SX
						COMER	0404 7015	DX
EL	108	40	19/21	4	b	GALFRE'		SX
						GALFRE'		DX
EL	94	48	19	4	b	BCS	58.031.193	SX
						BCS	58.031.192	DX
						KVERNELAND	TA 321	SX
						KVERNELAND	TA 322	DX
						PZ / ZWEEGERS	TA-321	SX
						PZ / ZWEEGERS	TA-322	DX



COLTELLI PER FALCIATRICI ROTATIVE - ROTARY MOWER KNIVES
ROTOR KLINGEN - COTEAUX DE FAUCHEUSES ROTATIVES
CUCHILLAS PARA SEGADORAS ROTATIVAS - НОЖИ ДЛЯ РОТОРНОЙ КОСИЛКИ

ELICOIDALE - HELICOIDAL
SCHRAUBENFORMIG - HELICOIDAL - Винтовой

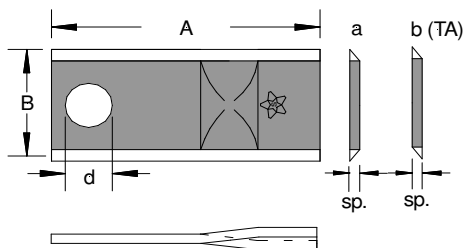


CODICE STELLA					APPLICAZIONE	ADATTABILI A ORG	LATO					
EL	A	B	d	sp.								
EL 96	96	48	19	4	b	FAHR	1650 3465	SX				
						FAHR	1650 3464	DX				
						FAHR	1650 3460	SX				
						FAHR	1650 3658	DX				
						KRONE	146 690 1	SX				
						KRONE	146 691 1	DX				
EL 98	98	48	19	4	b	BCS	58.036.091	SX				
						BCS	58.036.090	DX				
						FELLA	121 712	SX				
						FELLA	121 713	DX				
						GRIBALDI & SALVIA	121713/SP	SX				
						GRIBALDI & SALVIA	121712/SP	DX				
						PÖTTINGER	434 981	SX				
						PÖTTINGER	434 982	DX				
						SIP	153 171 311	SX				
						SIP	153 171 419	DX				
EL 100	100	48	19	4	b	GRIBALDI & SALVIA	46292	SX				
						GRIBALDI & SALVIA	46291	DX				
						FORTSCHRITT	0300 3350	SX				
						FORTSCHRITT	0300 3367	DX				
							21	4	b	PÖTTINGER	434 973	SX
			PÖTTINGER			434 974				DX		
			PÖTTINGER			434 977				SX		
			PÖTTINGER			434 978				DX		
					MARANGON	980 204.171	SX					
					MARANGON	980 204.170	DX					
					MARANGON	MEL 100	SX					
					MARANGON	MER 100	DX					
EL 102	102	48	19	4	b	FELLA	140 693	SX				
						FELLA	140 692	DX				
EL 105	105	48	21	4	b	MARANGON	105	SX				
						MARANGON	105	DX				
					a	SITREX	110.119	SX				
						SITREX	110.118	DX				
EL 105	105	48	20,5x23	4	b	VICON	KT5514100001	SX				
						VICON	KT5514200001	DX				
EL 106	106	48	19	4	b	SIP	153 967 201	SX				
						SIP	153 967 103	DX				
						SIP	950 008 609	SX				
						SIP	950 008 707	DX				
						SIP	950 009 001	SX				
						SIP	950 009 109	DX				
						NIEMEYER	570 445	SX				
						NIEMEYER	570 444	DX				
						FELLA	122 329	SX				
						FELLA	122 330	DX				



COLTELLI PER FALCIATRICI ROTATIVE - ROTARY MOWER KNIVES
ROTOR KLINGEN - COTEAUX DE FAUCHEUSES ROTATIVES
CUCHILLAS PARA SEGADORAS ROTATIVAS - НОЖИ ДЛЯ РОТОРНОЙ КОСИЛКИ

ELICOIDALE - HELICOIDAL
SCHRAUBENFORMIG - HELICOIDAL - Винтовой

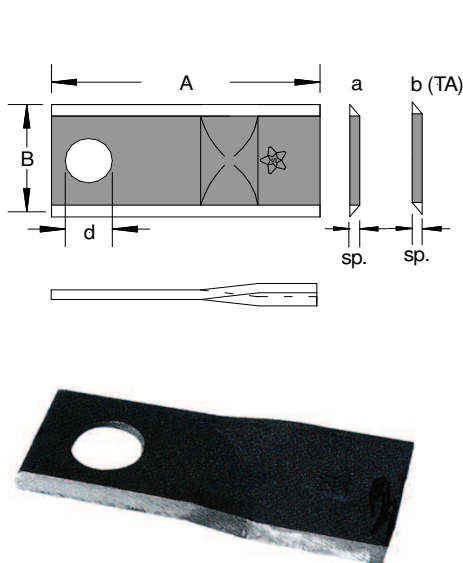


CODICE STELLA					APPLICAZIONE	ADATTABILI A ORG	LATO	
	A	B	d	sp.				
EL	107	48	18,5	4	b	KVERNELAND	B 087 5002	SX
						KVERNELAND	B 087 5001	DX
						HESSTON	700.711.858	SX
						HESSTON	700.711.857	DX
						HESSTON	700.715.576	SX
			HESSTON			700.715.575	DX	
			VICON			902 61559	SX	
			VICON			902 61560	DX	
			COMER			04047015/4	LH	
			COMER			04047016/4	RH	
EL	108	48	19	4	b	GALFRE'	434 985	SX
						GALFRE'	434 986	DX
						PÖTTINGER	434 985	SX
						PÖTTINGER	434 986	DX
						FORTSCRITT	0301 5161	SX
						FORTSCRITT	0301 5145	DX
			NIEMEYER			570 679 - 570 683	SX	
			NIEMEYER			570 680 - 570 684	DX	
			GRIBALDI & SALVIA			46362	SX	
			GRIBALDI & SALVIA			46363	DX	
			PÖTTINGER			434 971	SX	
			PÖTTINGER			434 972	DX	
GALFRE'		SX						
GALFRE'		DX						
SITREX	100.366	SX						
SITREX	100.367	DX						
EL	110	48	21	4	b	MARANGON	110 MEL	SX
						MARANGON	110 MER	DX
						COMER		SX
			COMER				DX	
			SIP			745032010	SX	
			SIP			745032020	DX	
EL	112	48	19	4	b	KRONE	139 888 0	SX
						KRONE	139 889 0	DX
						FELLA	123 706	SX
						FELLA	123 707	DX
						FELLA	131 117	SX
						FELLA	131 118	DX
						FELLA	134 309	SX
						FELLA	134 308	DX
						STOLL	1122350	SX
			STOLL			1122360	DX	
			J.F.			1380-0015	SX	
			J.F.			1380-0014	DX	
			PÖTTINGER			434 969	SX	
PÖTTINGER	434 970	DX						
EL	115	48	19	4	b	CLAAS	952.043.0	SX
						CLAAS	952.042.0	DX



COLTELLI PER FALCIATRICI ROTATIVE - ROTARY MOWER KNIVES
ROTOR KLINGEN - COTEAUX DE FAUCHEUSES ROTATIVES
CUCHILLAS PARA SEGADORAS ROTATIVAS - НОЖИ ДЛЯ РОТОРНОЙ КОСИЛКИ

ELICOIDALE - HELICOIDAL
SCHRAUBENFORMIG - HELICOIDAL - Винтовой

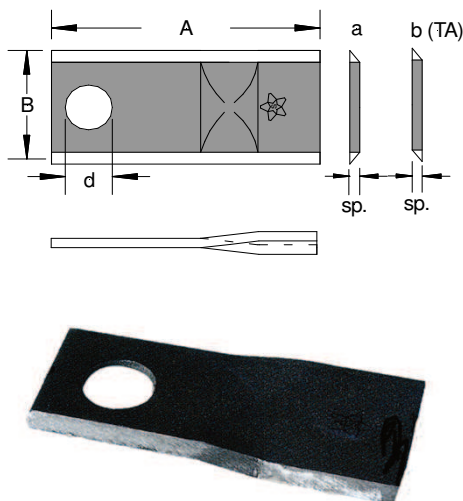


CODICE STELLA					APPLICAZIONE	ADATTABILI A ORG	LATO	
	A	B	d	sp.				
EL	120	48	18,5	4	b	FELLA	111 724	SX
						FELLA	111 725	DX
						FELLA	478 640	SX
						FELLA	478 641	DX
						JOHN DEERE	CC 21780	SX
						JOHN DEERE	CC 21781	DX
						KVERNELAND	B 191 9802	SX
						KVERNELAND	B 191 9902	DX
						LELY	4.1201.1473.0	SX
						LELY	4.1201.1474.0	DX
						LELY	9.1127.0003.2	SX
						LELY	9.1127.0004.3	DX
						NEW IDEA	526 216	SX
						NEW IDEA	526 215	DX
						NEW HOLLAND	444 266	SX
						NEW HOLLAND	444 267	DX
NEW HOLLAND	784 220	SX						
NEW HOLLAND	784 221	DX						
PÖTTINGER	434 988	SX						
PÖTTINGER	434 989	DX						
VICON	58 699 = 90258699	SX						
VICON	58 700 = 90258700	DX						
EL	95	45	16,25	3,5	a	JOHN DEERE	CC 20 500 = 19336	SX
						JOHN DEERE	CC 20 501 = 19333	DX
						KUHN	561.512.10	SX
						KUHN	561.513.10	DX
NEW HOLLAND	766 726	SX						
NEW HOLLAND	766 727	DX						
EL	98	45	16,25	3,5	a	FORT	4049 0006	SX
						FORT	4049 0005	DX
						MORRA		SX
						MORRA		DX
EL	107	45	21	4	a	BELLON	183 2532	SX
						BELLON	183 2533	DX
						BELLON	559 032 010 /21	SX
						BELLON	559 033 010 /21	DX
						ENOROSSI	12881270	SX
ENOROSSI	12881271	DX						
EL	107	45	18,25	4	a	FORT	40490006	SX
						FORT	49490005	DX
						JOHN DEERE	CC 26 780	SX
						JOHN DEERE	CC 26 781	DX
						KUHN	559.032.10	SX
						KUHN	559.033.10	DX
NEW HOLLAND	853 819	SX						
NEW HOLLAND	853 820	DX						
EL	112	45	21	4	b	ENOROSSI	12881434 / 18034173	SX
						ENOROSSI	12881435 / 18034193	DX



COLTELLI PER FALCIATRICI ROTATIVE - ROTARY MOWER KNIVES
ROTOR KLINGEN - COTEAUX DE FAUCHEUSES ROTATIVES
UCHILLAS PARA SEGADORAS ROTATIVAS - НОЖИ ДЛЯ РОТОРНОЙ КОСИЛКИ

ELICOIDALE - HELICOIDAL
SCHRAUBENFORMIG - HELICOIDAL - Винтовой



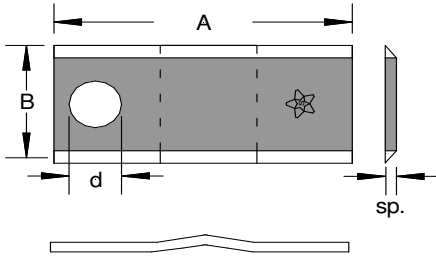
CODICE STELLA						APPLICAZIONE	ADATTABILI A ORG	LATO
	A	B	d	sp.				
EL	116	45	18,25	4	a	JOHN DEERE	CC 23 488	SX
						JOHN DEERE	CC 23 499	DX
						KUHN	559.060.00	SX
						KUHN	559.061.00	DX
EL	123	45	18,25	4	a	NEW HOLLAND	785 608	SX
						NEW HOLLAND	785 609	DX
						CLAAS	104 555.0	SX
						CLAAS	104 556.0	DX
EL	126	48	20,5x23	4	b	JOHN DEERE	CC 21 780	SX
						JOHN DEERE	CC 21 781	DX
						KUHN	564.512.00	SX
						KUHN	564.513.00	DX
EL	128	48	21	4	b	NEW HOLLAND	784 220	SX
						NEW HOLLAND	784 221	DX
						KVERNELAND	56110900	SX
						KVERNELAND	56110400	DX
EL	129	48	21	4	b	KVERNELAND	56781000	SX
						KVERNELAND	59782000	DX
						KUHN	56110900	SX
						KUHN	56110400	DX
EL	105	49	21	4	b	KUBOTA	KT5611090001	SX
						KUBOTA	KT5611040001	DX
EL	109	50	21	4	b	CNH	1380-0011	SX
						CNH	1380-0010	DX
EL	110	50	22,75	4	b	MARANGON	980 204.183	SX
						MARANGON	980 204.184	DX
EL	120	50	22,75	4	b	MARANGON	MEL 129	SX
						MARANGON	MER 129	DX
EL	176	50	20,5	4	b	SAMASZ	025.05.57.00	SX
						SAMASZ	025.05.58.00	DX
EL	94	49	23	3	b	MC HALE	CKN 00043	SX
						MC HALE	CKN 00042	DX
EL	110	50	22,75	4	b	NEW HOLLAND	9847683	SX
						NEW HOLLAND	9847684	DX
EL	120	50	22,75	4	b	NEW IDEA / BUSH HOG	527749	SX
						NEW IDEA / BUSH HOG	527748	DX
EL	176	50	20,5	4	b	BCS	56419369	SX
						BCS	56419783	DX
EL	94	49	23	3	b	MÖRTL	T/673L	SX
						MÖRTL	T/673R	DX



COLTELLI PER FALCIATRICI ROTATIVE - ROTARY MOWER KNIVES
ROTOR KLINGEN - COTEAUX DE FAUCHEUSES ROTATIVES
CUCHILLAS PARA SEGADORAS ROTATIVAS - НОЖИ ДЛЯ РОТОРНОЙ КОСИЛКИ

PIEGATO PZ - BENDED PZ

GEBOGEN PZ - PLIE' PZ - DOBLADA PZ - Изогнутый PZ



CODICE STELLA					APPLICAZIONE	ADATTABILI A ORG
	A	B	d	sp.		
PZ	105	48	21	3	BELLON PZ CM PÖTTINGER CLAAS KRONE RZS RZS ZWEEGERS KUHN GREENLAND	105 PZ 120.105 434 120 104 004.1 143 237 0 165 419500310 CM 120 Z1100020 CM 120
PZ	108	48	21	3	BELLON MARANGON NEW HOLLAND ZWEEGERS PZ	108 PZ CM120-108 495.807 CM 120/108
PZ	108	48	21	4	MARANGON	



COLTELLI PER FALCIATRICI ROTATIVE - ROTARY MOWER KNIVES
ROTOR KLINGEN - COTEAUX DE FAUCHEUSES ROTATIVES
CUCHILLAS PARA SEGADORAS ROTATIVAS - НОЖИ ДЛЯ РОТОРНОЙ КОСИЛКИ

